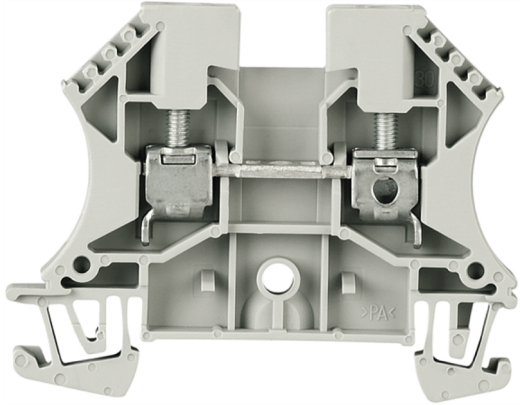




Feed Through Terminal 4mm Grey



- Tin-plated terminals and steel screws for corrosion resistance (Bulletin 1492-W terminal blocks have nickel-plated terminals and stainless steel screws)
- High copper content copper alloy for excellent conductivity
- Four-sided wire funnel guides for easy wire insertion
- Finger-safe housings to prevent accidental contact with live circuits
- International approvals for worldwide use
- DIN Rail mountable, allowing terminal blocks to be placed on the same channel as contactors, starters, relays, and other DIN Rail-mounted control devices
- Self-extinguishing, polyamide 6.6 housing material with UL 94-V0 flammability rating

Representative Photo Only  
(actual product may vary based on configuration selections)

**SPECIFICATIONS**

Product Series	zz1492
Component Type Termination Wiring	Terminal
Package Quantity	100 qty
Colour, Body / Housing	Grey colour
Wire / Conductor Size (Max)	4 mm <sup>2</sup>
Wire Strip Length	10 mm
Tightening Torque, Nominal	1 Nm
In, Rated Current	32 A
Un, Nominal Voltage	800 V
Height	60 mm
Width	6.1 mm
Depth	39.5 mm
Insulation Temperature (Min)	-50 °C
Insulation Temperature (Max)	120 °C

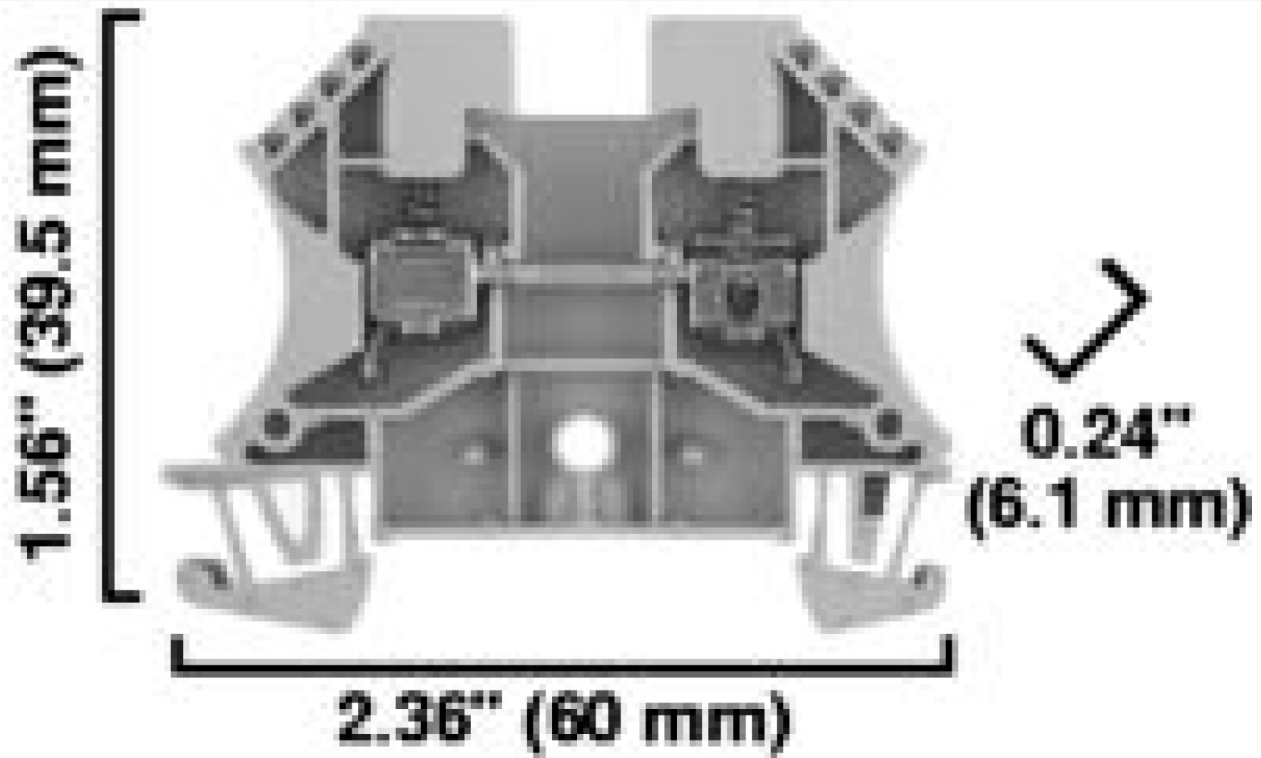
**REFERENCES**

IECEX Certificate	-
Supplier Declaration of Conformity:	-
Installation Guide:	-
User Manual:	-
Manufacturer Datasheet:	-
Manufacturer Catalogue & Product Selection:	-

Catalogue No: **1492-J4**

**SCREW TERMINAL 4mm 1 CONDUCTOR 32A GREY**

Termination and Wiring Systems > Terminals and Pre-Wired Cables > Terminals - Screw > Allen-Bradley Terminal Blocks > Through Terminals > 4 mm<sup>2</sup>



Dimension Diagram