

Catalogue No: **800TC-A2D2**

PB 30.5mm FS FLUSH HD MOM N/ILL 1NC BLACK

Operator Control Devices > Pushbuttons and Control Switches > Pushbuttons and Pilot Lights > Allen-Bradley
800T/800H Pushbuttons > 30.5 mm Pushbuttons > Momentary Contact Push Buttons Units, Non-Illuminated



Flush Head

- 800T (metal) and 800H (plastic) 30.5 mm product lines are designed and constructed to perform in the most demanding industrial environments.
- Button caps made from thermoplastic polyester resin and deliver excellent resistance to corrosive agents and ensure color identification is never lost.
- Operator bushings are made from die cast zinc alloy giving strength and stability in installation.
- Riveted construction of the operator bushing, diaphragm seal and base plate, by four secure steel rivets, provides increased durability and tamper resistance.

Representative Photo Only
(actual product may vary based on configuration selections)

SPECIFICATIONS

Product Series	800T
Component Type Pushbutton and Pilot Lights	Pushbutton
Operator Type	Pushbutton, Flush type
Operator Action	Momentary action
Diameter, Operator	34.9 mm
Colour, Operator	Black colour
Material, Operator	Metal material
Material, Bezel	Zinc
Coupling Plate Included	No Y / N
Diameter, Mounting Hole(s)	30.5 mm
Contact Block Included	Yes
Contact Configuration	1 NC
In, Rated Current	10 A
Ie, Rated Operational Current, AC-15, 110-120V	6.5 A@110-120V
Ie, Rated Operational Current, AC-15, 240V	3 A@240V
Ie, Rated Operational Current, AC-15, 415V	1.7 A@415V
Ie, Rated Operational Current, DC-13, 125V	0.55 A@125V
Mounting	30.5mm Mounting
Terminal Type	Screw Terminal(s)
Tightening Torque, Min	0.68 Nm
Tightening Torque, Max	0.9 Nm
Operating Force	4.4 N
Pickup Voltage	24 V
Pickup Current	24 mA
Ith, Thermal Current, Open	10 A
Wire / Conductor Size (Min)	18 AWG (0.823 mm ²) min
Wire / Conductor Size (Max)	14 AWG (2.08 mm ²)
Dielectric Strength	2.2kV for 1 minute V AC

Catalogue No: **800TC-A2D2**

PB 30.5mm FS FLUSH HD MOM N/ILL 1NC BLACK

Operator Control Devices > Pushbuttons and Control Switches > Pushbuttons and Pilot Lights > Allen-Bradley
800T/800H Pushbuttons > 30.5 mm Pushbuttons > Momentary Contact Push Buttons Units, Non-Illuminated



Recommended Fuse Current Rating	10 A
Fuse Characteristic Type(s)	gL/gG
Illuminated	No Y / N
Electrical Service Life at Un, In	1000000 cycles
Mechanical Service Life	10000000 cycles
Operating Temperature, Max	55 °C max
Operating Temperature, Min	-40 °C min
Storage Temperature, Max	85 °C max
Storage Temperature, Min	-40 °C min
Relative Humidity, Min	50 %RH
Relative Humidity, Max	95 %RH
IP Rating	IP2X IP66 IP65
Shock Acceleration (Max.)	100 g
Shock Duration (Max.)	11 ms
Vibration Acceleration (Max.)	10 m/s ²
Vibration Displacement (Peak to Peak Max.)	1.52 mm
Vibration Frequency, Operational (Max.)	2000 Hz
Standards Compliance	UL 508 CSA C22.2 No. 14 EN 60947-5-1 EN 60947-5-5 ISO 13850
Certifications	CE CSA UL CCC

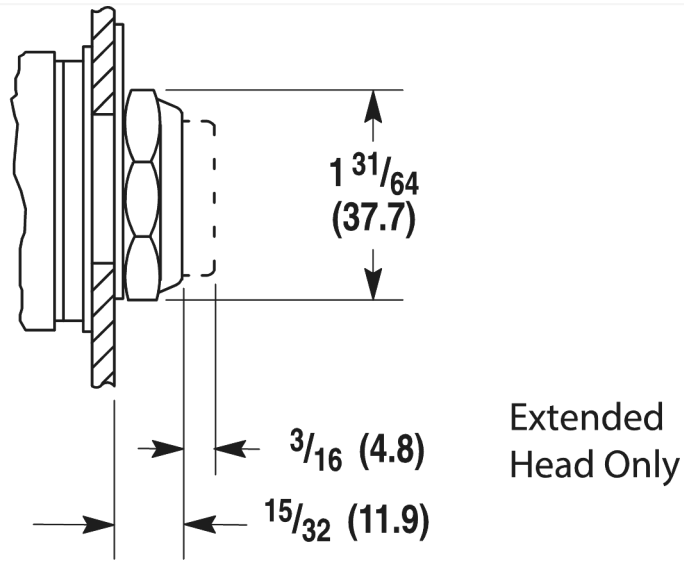
REFERENCES

IECEX Certificate	-
Supplier Declaration of Conformity:	-
Installation Guide:	-
User Manual:	-
Manufacturer Datasheet:	800TCA2D2_Manufacturer Datasheet
Manufacturer Catalogue & Product Selection:	800TCA2D2_Manufacturer Catalogue

Catalogue No: **800TC-A2D2**

PB 30.5mm FS FLUSH HD MOM N/ILL 1NC BLACK

Operator Control Devices > Pushbuttons and Control Switches > Pushbuttons and Pilot Lights > Allen-Bradley
800T/800H Pushbuttons > 30.5 mm Pushbuttons > Momentary Contact Push Buttons Units, Non-Illuminated



**Flush and Extended
Head Push Button**
Shipping Wt. 5-1/2 oz (0.15 kg)

Dimension Diagram