

Catalogue No: 800T-A6

PB 30.5mm FLUSH HD MOM N/ILL RED

Operator Control Devices > Pushbuttons and Control Switches > Pushbuttons and Pilot Lights > Allen-Bradley 800T/800H Pushbuttons > 30.5 mm Pushbuttons > Momentary Contact Push Buttons Units, Non-Illuminated



Pushbutton 30.5mm Metal Flush Red Operator Only



- 800T (metal) and 800H (plastic) 30.5 mm product lines are designed and constructed to perform in the most demanding industrial environments.
- Button caps made from thermoplastic polyester resin and deliver excellent resistance to corrosive agents and ensure color identification is never lost.
- Operator bushings are made from die cast zinc alloy giving strength and stability in installation.
- Riveted construction of the operator bushing, diaphragm seal and base plate, by four secure steel rivets, provides increased durability and tamper resistance.

Representative Photo Only
(actual product may vary based on configuration selections)

SPECIFICATIONS

Product Series	800T
Component Type Pushbutton and Pilot Lights	Pushbutton
Operator Type	Pushbutton, Flush type
Operator Action	Momentary action
Diameter, Operator	34.9 mm
Colour, Operator	Red colour
Material, Operator	Metal material
Material, Bezel	Zinc
Coupling Plate Included	No Y / N
Diameter, Mounting Hole(s)	30.5 mm
Contact Block Included	No
Illuminated	No Y / N
Electrical Service Life at Un, In	1000000 cycles
Mechanical Service Life	10000000 cycles
Operating Temperature, Max	55 °C max
Operating Temperature, Min	-40 °C min
Storage Temperature, Max	85 °C max
Storage Temperature, Min	-40 °C min
Relative Humidity, Min	50 %RH
Relative Humidity, Max	95 %RH
IP Rating	IP65 IP66
Shock Acceleration (Max.)	100 g
Shock Duration (Max.)	11 ms
Vibration Acceleration (Max.)	10 m/s ²
Vibration Displacement (Peak to Peak Max.)	1.52 mm
Vibration Frequency, Operational (Max.)	2000 Hz

Catalogue No: 800T-A6

PB 30.5mm FLUSH HD MOM N/ILL RED

Operator Control Devices > Pushbuttons and Control Switches > Pushbuttons and Pilot Lights > Allen-Bradley 800T/800H Pushbuttons > 30.5 mm Pushbuttons > Momentary Contact Push Buttons Units, Non-Illuminated



Standards Compliance

UL 508
CSA C22.2 No. 14
EN 60947-5-1
EN 60947-5-5
ISO 13850

Certifications

CE
CSA
UL
CCC

REFERENCES

IECEx Certificate -

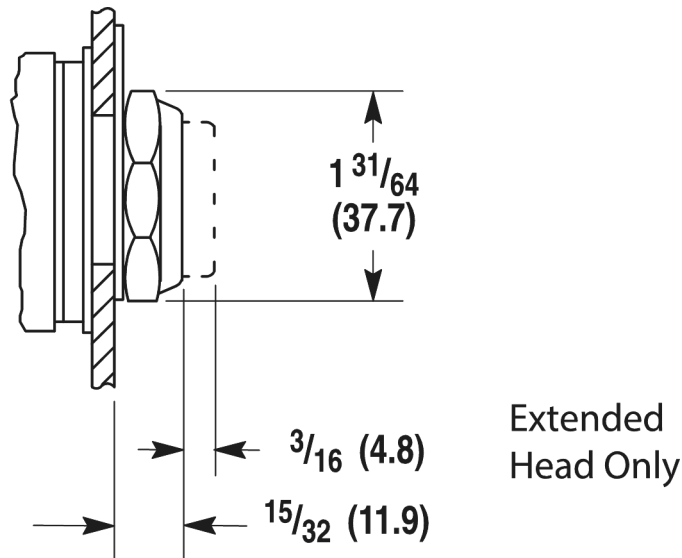
Supplier Declaration of Conformity: -

Installation Guide: -

User Manual: -

Manufacturer Datasheet: [800TA6_Manufacturer Datasheet](#)

Manufacturer Catalogue & Product Selection: [800TA6_Manufacturer Catalogue](#)



Flush and Extended Head Push Button

Shipping Wt. 5-1/2 oz (0.15 kg)

Dimension Diagram