

Catalogue No: **800T-1TZ**

PB 30.5mm ENCLOSURE SURFACE MOUNT 1 HOLE GREY

Operator Control Devices > Pushbuttons and Control Switches > Pushbuttons and Pilot Lights > Allen-Bradley
800T/800H Pushbuttons > Pushbutton Enclosures > Die Cast Aluminium



Representative Photo Only
(actual product may vary based on configuration selections)

Enclosure Metal 30.5mm 1 Hole Grey

- 800T (metal) and 800H (plastic) 30.5mm product lines are designed and constructed to perform in the most demanding industrial environments.
- Button caps made from thermoplastic polyester resin and deliver excellent resistance to corrosive agents and ensure color identification is never lost.
- Operator bushings are made from die cast zinc alloy giving strength and stability in installation.
- Riveted construction of the operator bushing, diaphragm seal and base plate, by four secure steel rivets, provides increased durability and tamper resistance.

SPECIFICATIONS

Product Series	800T
Component Type Pushbutton and Pilot Lights	Pushbutton Station Enclosure
Height	106.4 mm
Width	96.8 mm
Depth	81.8 mm
NEMA Enclosure Class (NEMA 250:2003)	Type 13 Type 4
Conduit Entry	1 x 0.75" entry
Operator Cutout(s)	1 x 30.5mm cutouts
Material, Body / Housing	Metal Die-Cast material
Colour, Body / Housing	Grey colour
Operating Temperature, Max	55 °C max
Operating Temperature, Min	-40 °C min
Storage Temperature, Max	85 °C max
Storage Temperature, Min	-40 °C min
Relative humidity, min	50 %RH
Relative Humidity, Max	95 %RH
Shock Acceleration (Max.)	100 g
Shock Duration (Max.)	11 ms
Vibration Acceleration (Max.)	10 m/s ²
Vibration Displacement (Peak to Peak Max.)	1.52 mm
Vibration Frequency, Operational (Max.)	2000 Hz
Standards Compliance	UL 508 CSA C22.2 No. 14 EN 60947-5-1 EN 60947-5-5 ISO 13850
Certifications	CE CSA UL CCC

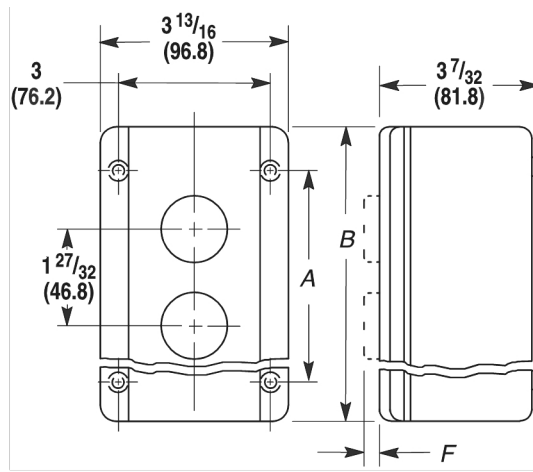
Catalogue No: **800T-1TZ**

PB 30.5mm ENCLOSURE SURFACE MOUNT 1 HOLE GREY

Operator Control Devices > Pushbuttons and Control Switches > Pushbuttons and Pilot Lights > Allen-Bradley
800T/800H Pushbuttons > Pushbutton Enclosures > Die Cast Aluminium



REFERENCES	
IECEX Certificate	-
Supplier Declaration of Conformity:	-
Installation Guide:	-
User Manual:	-
Manufacturer Datasheet:	800T1TZ_Manufacturer Datasheet
Manufacturer Catalogue & Product Selection:	800T/800H_Manufacturer Catalogue



Enclosure Dimensions

Dim.	No. of Units				
	1	2	3	4	6
A	2-3/4 (69.9)	4-1/2 (114.3)	6-1/4 (158.8)	8 (203.2)	12-1/8 (308)
B	4-3/16 (106.4)	5-7/8 (144.2)	7-9/16 (192.1)	9-1/2 (241.3)	13-1/2 (342.4)

Note: Mounting holes (4) — Screw shaft 13/64 in. (5.16 mm) max. diameter.

Dimension Diagram