

Catalogue No: **800FP-F402**

PB 22.5mm PLASTIC MOM FLUSH HD N/ILL RED STOP

Operator Control Devices > Pushbuttons and Control Switches > Pushbuttons and Pilot Lights > Allen-Bradley 800F Pushbuttons and Pilot Lights > 800F Pushbuttons > 800F Flush Momentary Pushbuttons (Components Only)



Pushbutton Plastic FLush Red STOP



- The 800F range of 22.5mm operator control devices includes a diverse range of products making it suitable for use in a wide range of applications. Products in the range include pushbuttons, selector switches, pilot lights, emergency stop operators and more.
- Operators are available in both plastic (800FP) and metal (800FM) variants.

Representative Photo Only
(actual product may vary based on configuration selections)

SPECIFICATIONS

Product Series	800FP
Component Type Pushbutton and Pilot Lights	Pushbutton
Operator Type	Pushbutton, Flush type
Operator Action	Momentary action
Diameter, Operator	29.6 mm
Colour, Operator	Red colour
Material, Operator	TP (Thermoplastic) material
Material, Bezel	Glass-Filled Nylon / PA6 / PA66 (Polyamide 6)
Coupling Plate Included	No Y / N
Diameter, Mounting Hole(s)	22.5 mm
Contact Block Included	No
Illuminated	No Y / N
Tightening Torque, Nominal	1.7 Nm
Mechanical Service Life	10000000 cycles
RoHS Approved	Yes
CE Marked	Yes
Operating Temperature, Max	70 °C max
Operating Temperature, Min	-25 °C min
Storage Temperature, Max	85 °C max
Storage Temperature, Min	-40 °C min
Relative Humidity, Min	50 %RH
Relative Humidity, Max	95 %RH
IP Rating	IP65 IP66 IP69K
Shock Acceleration (Max.)	100 g
Shock Duration (Max.)	11 ms
Vibration Acceleration (Max.)	10 m/s ²
Vibration Displacement (Peak to Peak Max.)	1.52 mm

Catalogue No: **800FP-F402**

PB 22.5mm PLASTIC MOM FLUSH HD N/ILL RED STOP

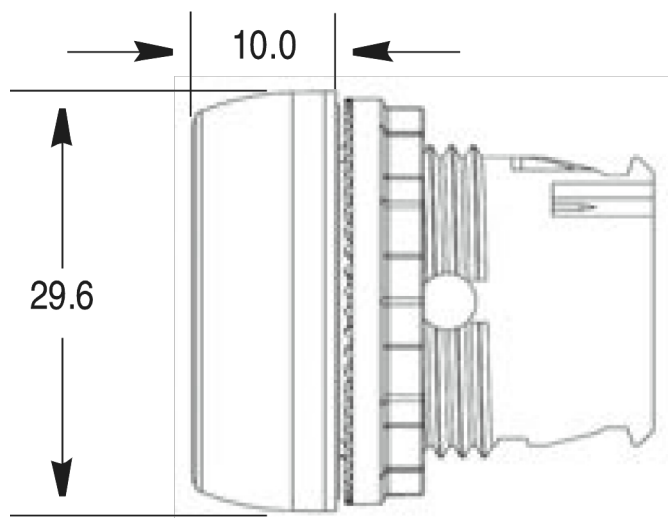
Operator Control Devices > Pushbuttons and Control Switches > Pushbuttons and Pilot Lights > Allen-Bradley 800F Pushbuttons and Pilot Lights > 800F Pushbuttons > 800F Flush Momentary Pushbuttons (Components Only)



Vibration Frequency, Operational (Max.)	2000 Hz
Vibration Duration (Max.)	180 min
Standards Compliance	NEMA ICS-5 UL 508 EN 60947-1 EN 60947-5-1 EN 60947-5-5 IEC 60947-1 ISO 13850
Certifications	UR UL CSA CCC CE RoHS
Shipping Approvals	ABS (American Bureau of Shipping)

REFERENCES	
IECEX Certificate	-
Supplier Declaration of Conformity:	-
Installation Guide:	-
User Manual:	-
Manufacturer Datasheet:	800FPF4_Manufacturer Datasheet
Manufacturer Catalogue & Product Selection:	800FPF4_Manufacturer Product Selection Guide

Non-Illuminated and Illuminated Momentary Flush Push Button Operators



Dimension Diagram