

# Catalogue No: **800FP-F3PX10**

## PB 22.5mm PLASTIC MOM FLUSH HD N/ILL GREEN 1NO

Operator Control Devices > Pushbuttons and Control Switches > Pushbuttons and Pilot Lights > Allen-Bradley 800F Pushbuttons and Pilot Lights > 800F Pushbuttons > 800F Complete Momentary Pushbuttons



### PUSHBUTTON FLUSH GREEN C/W 1 N/O CONTACT



- The 800F line of 22.5 mm push buttons is designed and manufactured to demanding performance specifications to ensure you receive optimized durability and performance.
- 800FP operators are made of industrial grade thermoplastic for superior chemical resistance.
- 800FM operators are constructed of tough die cast zinc alloy, finished with chromate plating that can be used in the most arduous applications.

Representative Photo Only  
(actual product may vary based on configuration selections)

#### SPECIFICATIONS

Product Series	800FP
Component Type Pushbutton and Pilot Lights	Pushbutton
Operator Type	Pushbutton, Flush type
Operator Action	Momentary action
Diameter, Operator	29.6 mm
Colour, Operator	Green colour
Material, Operator	TP (Thermoplastic) material
Material, Bezel	Glass-Filled Nylon / PA6 / PA66 (Polyamide 6)
Coupling Plate Included	Yes Y / N
Material, Coupling Plate	Glass-Filled Nylon / PA6 / PA66 (Polyamide 6)
Diameter, Mounting Hole(s)	22.5 mm
Contact Block Included	Yes
Contact Configuration	1 NO
In, Rated Current	10 A
Ie, Rated Operational Current, AC-1, 240V	10 A@240V
Ie, Rated Operational Current, AC-15, 110-120V	6 A@110-120V
Ie, Rated Operational Current, AC-15, 240V	3 A@240V
Ie, Rated Operational Current, AC-15, 415V	2.2 A@415V
Ie, Rated Operational Current, DC-13, 125V	0.6 A@125V
Mounting	22.5mm Mounting
Ui, Rated Insulation Voltage	690 V (rms)
Material, Contacts	Silver Nickel (AgNi) material
Colour, Contact Actuator	Red
Terminal Type	Screw Terminal(s)
Material, Terminal	Brass
Tightening Torque, Min	0.7 Nm
Tightening Torque, Max	0.9 Nm
Material, Spring	Stainless Steel

# Catalogue No: **800FP-F3PX10**

## PB 22.5mm PLASTIC MOM FLUSH HD N/ILL GREEN 1NO

Operator Control Devices > Pushbuttons and Control Switches > Pushbuttons and Pilot Lights > Allen-Bradley 800F Pushbuttons and Pilot Lights > 800F Pushbuttons > 800F Complete Momentary Pushbuttons



Operating Force	5 N
Linear Travel to Actuation	2.5 mm
Pickup Voltage	17 V
Pickup Current	5 mA
Ith, Thermal Current, Open	10 A
Wire / Conductor Size (Min)	0.75 mm <sup>2</sup> min
Wire / Conductor Size (Max)	2.5 mm <sup>2</sup>
Dielectric Strength	2.5kV for 1 minute
Recommended Fuse Current Rating	10 A
Fuse Characteristic Type(s)	gL/gG
Illuminated	No Y / N
Tightening Torque, Nominal	1.7 Nm
Mechanical Service Life	10000000 cycles
RoHS Approved	Yes
CE Marked	Yes
Operating Temperature, Max	70 °C max
Operating Temperature, Min	-25 °C min
Storage Temperature, Max	85 °C max
Storage Temperature, Min	-40 °C min
Relative humidity, min	50 %RH
Relative Humidity, Max	95 %RH
IP Rating	IP66 IP65
Shock Acceleration (Max.)	100 g
Shock Duration (Max.)	11 ms
Vibration Acceleration (Max.)	10 m/s <sup>2</sup>
Vibration Displacement (Peak to Peak Max.)	1.52 mm
Vibration Frequency, Operational (Max.)	2000 Hz
Vibration Duration (Max.)	180 min
Standards Compliance	NEMA ICS-5 UL 508 EN 60947-1 EN 60947-5-1 EN 60947-5-5 IEC 60947-1 ISO 13850
Certifications	UR UL CSA CCC CE RoHS
Shipping Approvals	ABS (American Bureau of Shipping)

Catalogue No: **800FP-F3PX10**

PB 22.5mm PLASTIC MOM FLUSH HD N/ILL GREEN 1NO

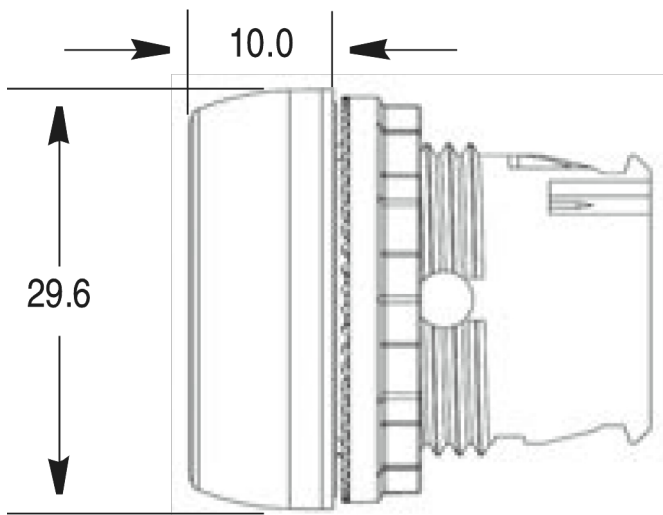
Operator Control Devices > Pushbuttons and Control Switches > Pushbuttons and Pilot Lights > Allen-Bradley 800F Pushbuttons and Pilot Lights > 800F Pushbuttons > 800F Complete Momentary Pushbuttons



#### REFERENCES

IECEX Certificate	-
Supplier Declaration of Conformity:	-
Installation Guide:	-
User Manual:	-
Manufacturer Datasheet:	<a href="#">800FPF3PX10_Manufacturer Datasheet</a>
Manufacturer Catalogue & Product Selection:	<a href="#">800FPF3PX10_Manufacturer Product Selection Guide</a>

## Non-Illuminated and Illuminated Momentary Flush Push Button Operators



Dimension Diagram