

Catalogue No: **800FM-JR2**

TOGGLE SW 22.5mm METAL 2P MOM

Operator Control Devices > Pushbuttons and Control Switches > Pushbuttons and Pilot Lights > Allen-Bradley 800F Pushbuttons and Pilot Lights > 800F Toggle Switch > Metal Body - Spring Return



TOGGLE SWITCH 22.5mm METAL 2 POSITION SPRING RETURN



- The 800F line of 22.5 mm push buttons is designed and manufactured to demanding performance specifications to ensure you receive optimized durability and performance.
- 800FP operators are made of industrial grade thermoplastic for superior chemical resistance.
- 800FM operators are constructed of tough die cast zinc alloy, finished with chromate plating that can be used in the most arduous applications.

Representative Photo Only
(actual product may vary based on configuration selections)

SPECIFICATIONS

Product Series	800FM-JR
Component Type Pushbutton and Pilot Lights	Toggle Switch
Number of Positions	2
Operator Action	Spring Return action
Material, Bezel	Zinc
Diameter, Operator	22.5 mm
Mechanical Service Life	100000 cycles
RoHS Approved	Yes
CE Marked	Yes
Operating Temperature, Max	70 °C max
Operating Temperature, Min	-25 °C min
Storage Temperature, Max	85 °C max
Storage Temperature, Min	-40 °C min
Relative humidity, min	50 %RH
Relative Humidity, Max	95 %RH
Shock Acceleration (Max.)	100 g
Shock Duration (Max.)	11 ms
Vibration Acceleration (Max.)	10 m/s ²
Vibration Displacement (Peak to Peak Max.)	1.52 mm
Vibration Frequency, Operational (Max.)	2000 Hz
Vibration Duration (Max.)	180 min
Standards Compliance	NEMA ICS-5 UL 508 EN 60947-1 EN 60947-5-1 EN 60947-5-5 IEC 60947-1 ISO 13850

Catalogue No: **800FM-JR2**

TOGGLE SW 22.5mm METAL 2P MOM

Operator Control Devices > Pushbuttons and Control Switches > Pushbuttons and Pilot Lights > Allen-Bradley 800F Pushbuttons and Pilot Lights > 800F Toggle Switch > Metal Body - Spring Return



Certifications

UR
UL
CSA
CCC
CE
RoHS

Shipping Approvals

ABS (American Bureau of Shipping)

REFERENCES

IECEX Certificate -

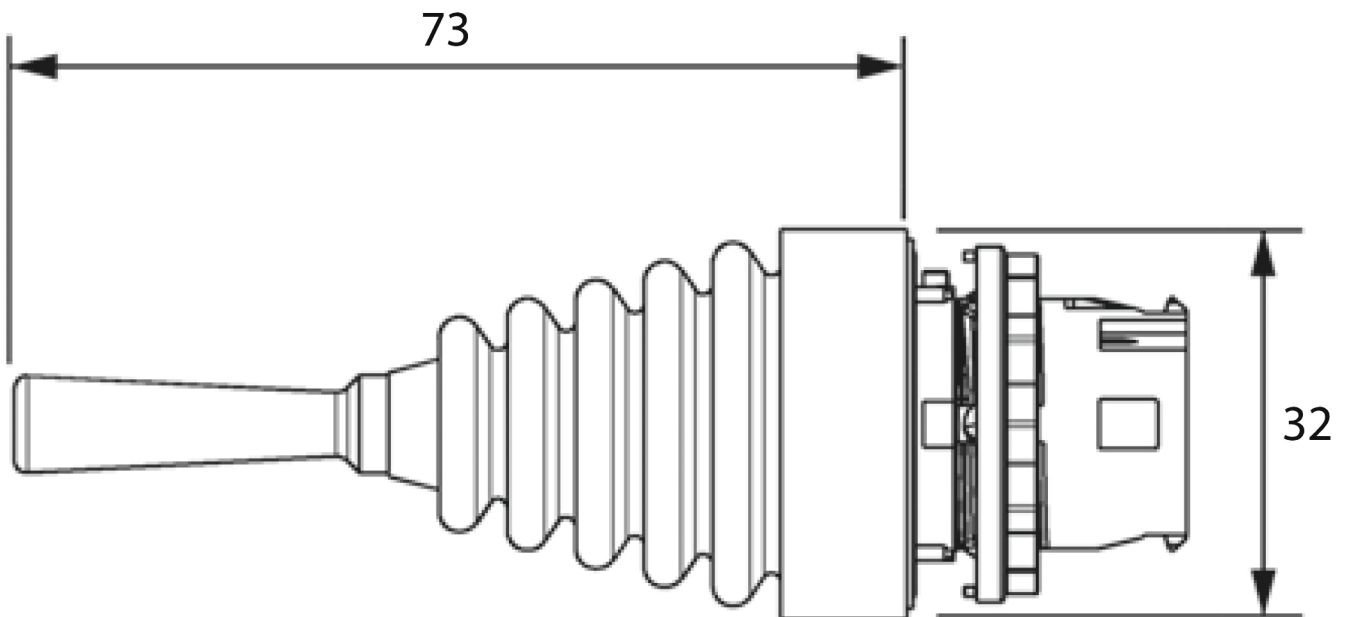
Supplier Declaration of Conformity: -

Installation Guide: -

User Manual: -

Manufacturer Datasheet: [800F_Manufacturer Datasheet](#)

Manufacturer Catalogue & Product Selection: [800FMJR2_Manufacturer Catalogue](#)



Dimension Diagram

Catalogue No: **800FM-JR2**

TOGGLE SW 22.5mm METAL 2P MOM

Operator Control Devices > Pushbuttons and Control Switches > Pushbuttons and Pilot Lights > Allen-Bradley 800F
 Pushbuttons and Pilot Lights > 800F Toggle Switch > Metal Body - Spring Return



Target Table and Operator Position (2-Position)

Contact Type*	Position on Mounting Latch			
		Toggle Left	Center	Toggle Right
N.O.	Left	O	O	X
N.O.	Right	X	O	O
N.O.	Center	X	O	X
N.C.	Left	X	X	O
N.C.	Right	O	X	X
N.C.	Center	O	X	O

Note: X = Closed/O = Open

Technical Diagram