

Catalogue No: 700-HRM12TA17

TIMING RELAY ON DELAY 2CO 0.05S-300HR 100-240VAC/100-125VDC

Timers and Control Relays > Timers and Time Switches > Time Delay Relays > Allen-Bradley Time Delay Relays > Dial Timing Relays



Dial Timing Relay, On Delay timing delay, Two timed Contact, On Delay, 0.05 s .. 300 hr, DPDT timed, Supply 100...240V AC / 100...125 V DC

- Models available as single-function or multifunction providing application flexibility.
- Mounting options available as DIN or Plug-in to suit application preference.
- Meets a number of international certifications

Representative Photo Only
(actual product may vary based on configuration selections)

SPECIFICATIONS

Timing Function	ON Delay
Time Range(s)	50ms ... 300h
Electrical Life	100000 cycles
Umin, Supply Voltage, AC, Min	100 V AC
Umax, Supply Voltage, AC, Max	240 V AC
Supply Voltage Type	100...240V AC
Contact Ratings AC 15 at 250 V AC	3
Contact Configuration	2 CO
Mounting	Panel Mount
Time Setting Accuracy	±5 %
Storage Temperature, Min	-25 °C min
Storage Temperature, Max	65 °C max
Operating Temperature, Min	-10 °C min
Operating Temperature, Max	55 °C max
IP Rating, Panel	IP40
Mechanical Service Life	20000000 cycles
Height	48 mm
Width	48 mm
Depth	67.3 mm
Weight	0.09 kg
Standards Compliance	UL 508 CSA C22.2 No. 14 EN 61812-1 EN 61000-6-2 EN 61000-6-4
Certifications	CSA UL CE

Catalogue No: 700-HRM12TA17

TIMING RELAY ON DELAY 2CO 0.05S-300HR 100-240VAC100-125VDC

Timers and Control Relays > Timers and Time Switches > Time Delay Relays > Allen-Bradley Time Delay Relays > Dial Timing Relays

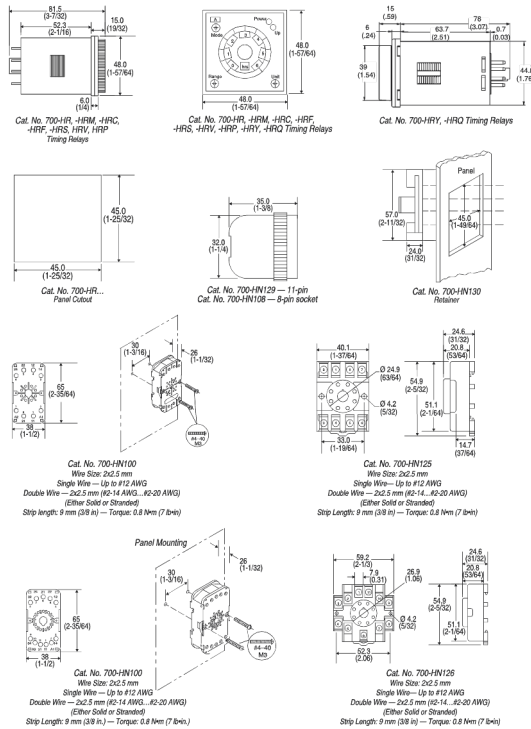


REFERENCES

IECEX Certificate	-
Supplier Declaration of Conformity:	-
Installation Guide:	-
User Manual:	-
Manufacturer Datasheet:	-
Manufacturer Catalogue & Product Selection:	-

Approximate Dimensions

Approximate Dimensions are shown in millimeters (inches). Approximate Dimensions are not intended to be used for manufacturing purposes.

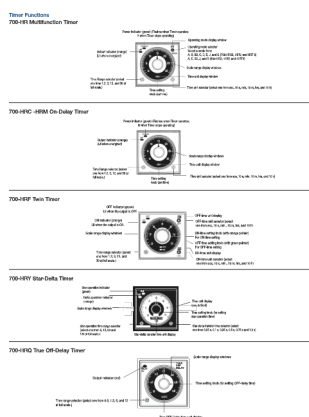


Dimension Diagram

Catalogue No: **700-HRM12TA17**

TIMING RELAY ON DELAY 2CO 0.05S-300HR 100-240VAC/100-125VDC

Timers and Control Relays > Timers and Time Switches > Time Delay Relays > Allen-Bradley Time Delay Relays > Dial Timing Relays



Technical Diagram