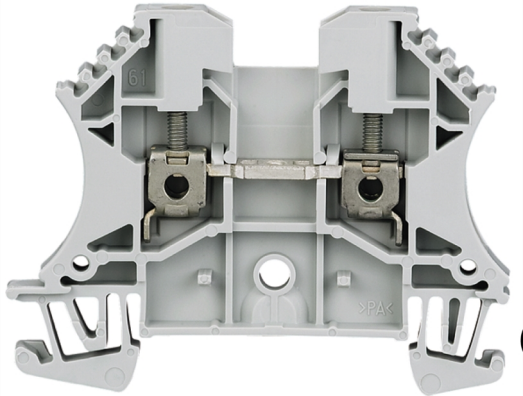




Feed Through Terminal 2.5mm Grey



- Tin-plated terminals and steel screws for corrosion resistance (Bulletin 1492-W terminal blocks have nickel-plated terminals and stainless steel screws)
- High copper content copper alloy for excellent conductivity
- Four-sided wire funnel guides for easy wire insertion
- Finger-safe housings to prevent accidental contact with live circuits
- International approvals for worldwide use
- DIN Rail mountable, allowing terminal blocks to be placed on the same channel as contactors, starters, relays, and other DIN Rail-mounted control devices
- Self-extinguishing, polyamide 6.6 housing material with UL 94-V0 flammability rating

Representative Photo Only
(actual product may vary based on configuration selections)

SPECIFICATIONS

Product Series	zz1492
Component Type Termination Wiring	Terminal
Package Quantity	100 qty
Colour, Body / Housing	Grey colour
Wire / Conductor Size (Max)	2.5 mm ²
Wire Strip Length	10 mm
Tightening Torque, Min	0.5 Nm
Tightening Torque, Max	0.8 Nm
In, Rated Current	24 A
Un, Nominal Voltage	800 V
Height	60 mm
Width	5.1 mm
Depth	39.5 mm
Insulation Temperature (Min)	-50 °C
Insulation Temperature (Max)	120 °C

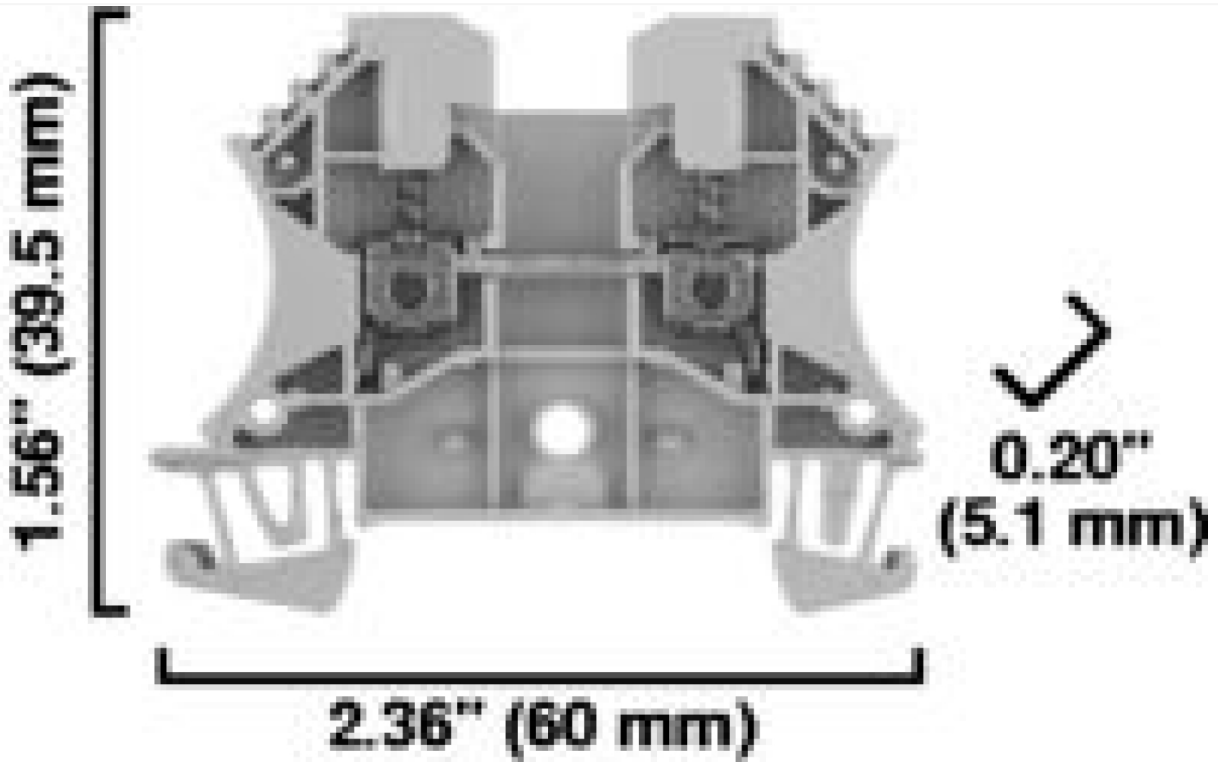
REFERENCES

IECEX Certificate	-
Supplier Declaration of Conformity:	-
Installation Guide:	-
User Manual:	-
Manufacturer Datasheet:	-
Manufacturer Catalogue & Product Selection:	-

Catalogue No: **1492-J3**

SCREW TERMINAL 2.5mm 1 CONDUCTOR 24A GREY

Termination and Wiring Systems > Terminals and Pre-Wired Cables > Terminals - Screw > Allen-Bradley Terminal Blocks > Through Terminals > 2.5 mm²



Dimension Diagram