

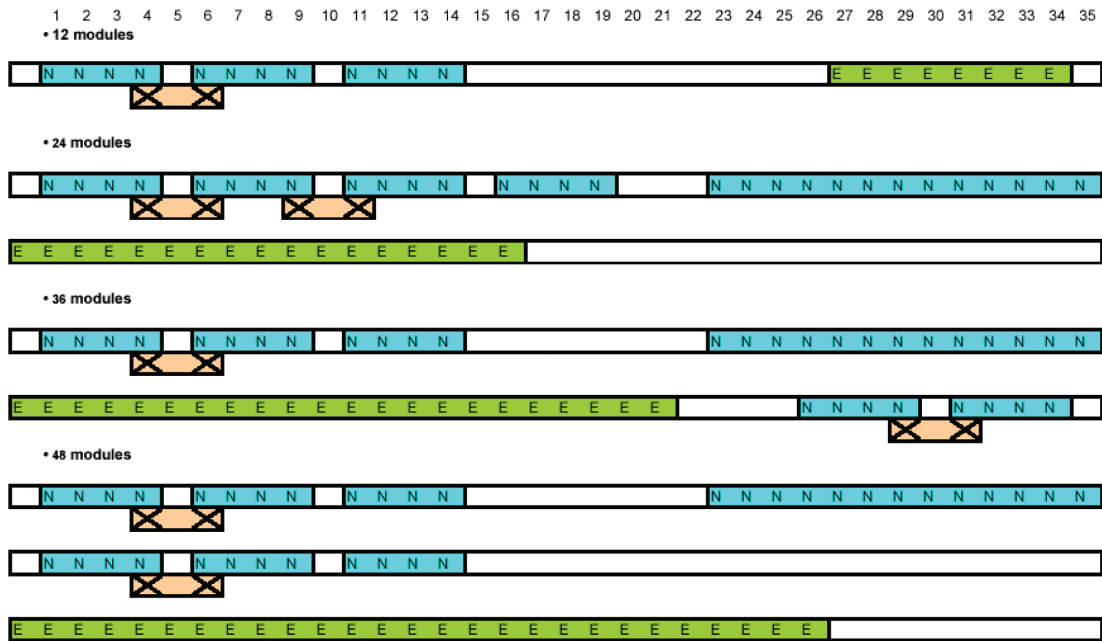
Surface Mounting Load Centres

CAT NO. HL12S, HL24S, HL36S, HL48S



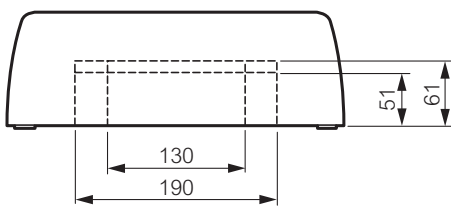
- Unique IP2X terminal blocks - can be mounted horizontally
- Fast installation - quick motion screws
- Spacious - plenty of room for cabling
- IP40-IK07 with door
- IP30-IK05 without door
- Conform to EN 60439-3
- Self extinguishing 650°C
- Polystyrene material
- White RAL 9010
- Chassis can be clipped, removed and tipped back to facilitate cabling
- Equipped with white reversible door
- Option of keylock (Cat. No. 01491)

Position of Terminal blocks

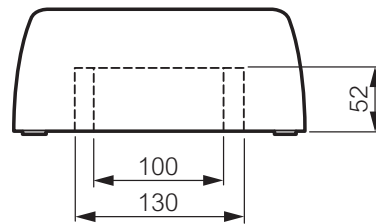


Pre-cut part for trunking systems

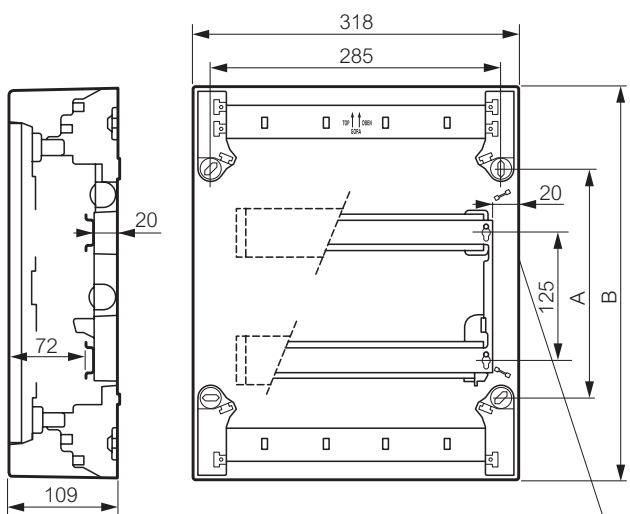
For 2, 3 and 4 rows cabinets



For 1 row of cabinets

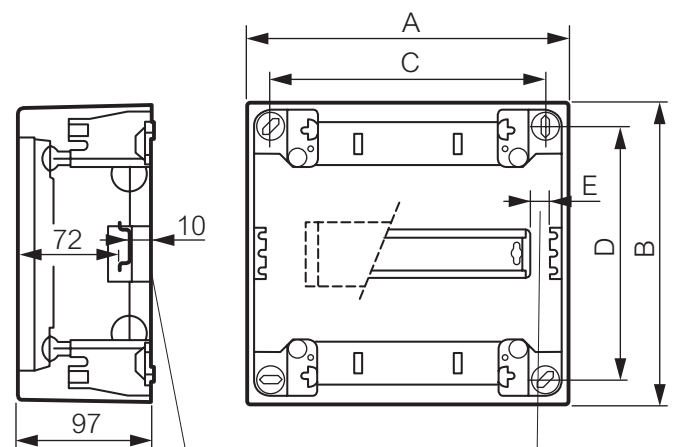


Dimensions



	24 mod.	36 mod.	48 mod.
A	225	350	475
B	380	505	630

Lateral space



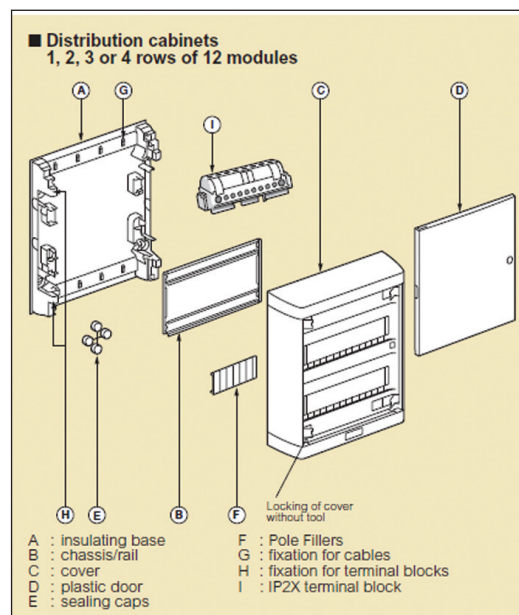
	12 mod.
A	317
B	240
C	287
D	150
E	9

Space under rail

Lateral space

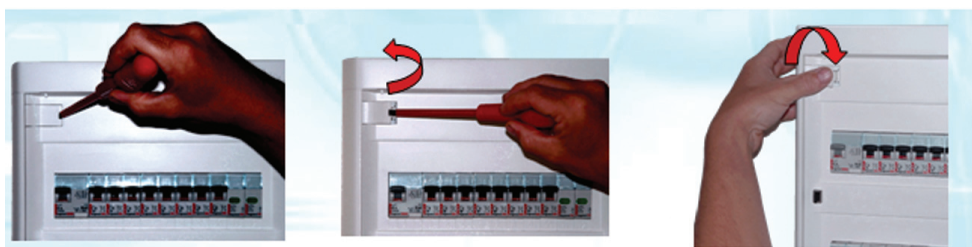
Overall dimensions				
Cat No	HL12S	HL24S	HL36S	HL48S
Dimensions	240mmH x 318mmW x 109mmD	380mmH x 318mmW x 109mmD	505mmH x 318mmW x 109mmH	630mmH x 318mmW x 109mmD

Distribution cabinets 1,2,3 or 4 rows of 12 modules



Easy opening using a flat screw driver

No tool needed for closing



HPM Legrand - AUS
1300 369 777
www.hpm.com.au

ABN 31 000 102 661

HPM Legrand - NZ
0800 476 009
www.hpm.co.nz

Surface Mounting Load Centres

CAT NO. HL12S, HL24S, HL36S, HL48S

Refer to your group buying office, HPM Legrand Sales Representative or HPM Legrand Sales Office for pricing.