

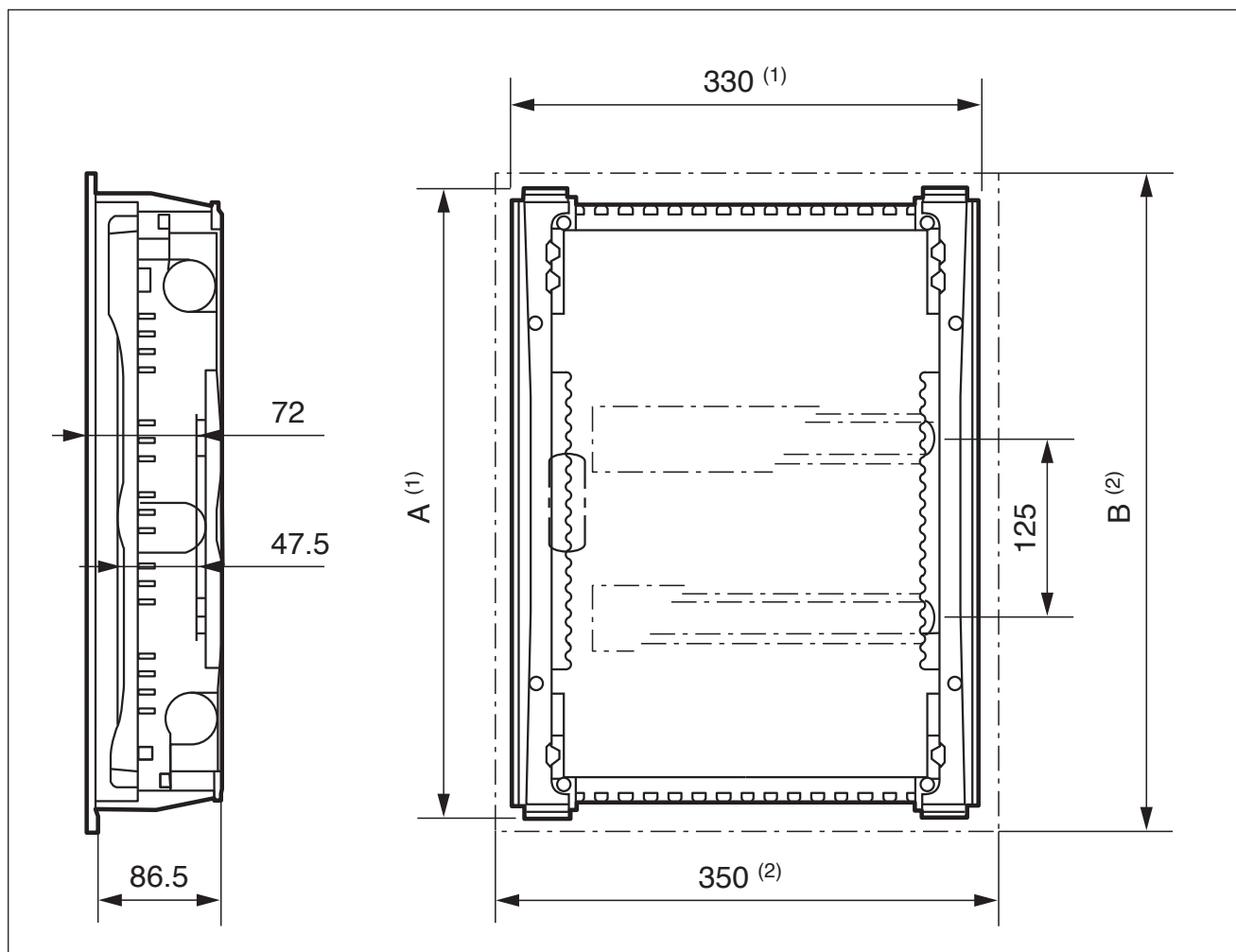
Flush Mounting Load Centres

CAT NO. HL12F, HL24F, HL36F, HL48F, HL12FS, HL24FS



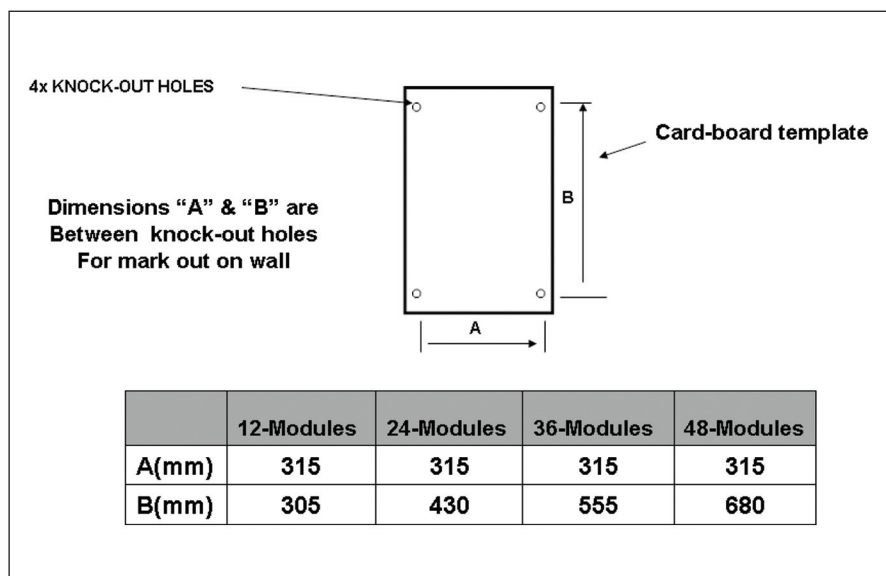
- Unique IP2X terminal blocks - can be mounted horizontally or vertically (in units from 24 modules)
- Can be linked vertically or horizontally
- Fast installation - cardboard template provided
- Spacious - plenty of room for cabling
- Complete set of accessories available for Gyprock and Brick-wall installations
- IP40-IK07 with door
- IP30-IK05 without door
- Conform to EN 60439-3
- Self extinguishing 650°C
- Polystyrene material
- White RAL 9010
- Equipped with white reversible door
- Option of keylock (Cat. No. 01491)
- HL12FS, HL24FS with steel back plate

Overall dimensions

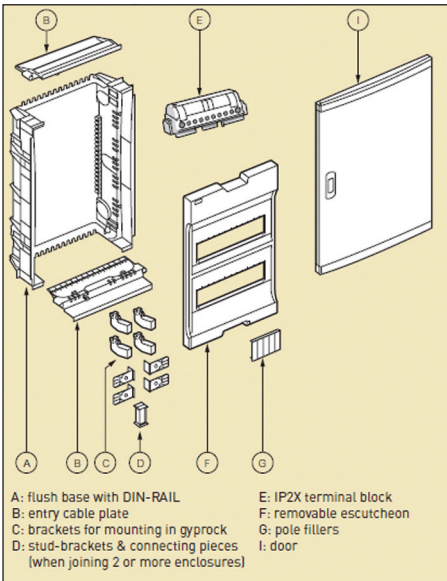


	1 row	2 row	3 row	4 row
A	305	430	555	680
B	335	460	585	710

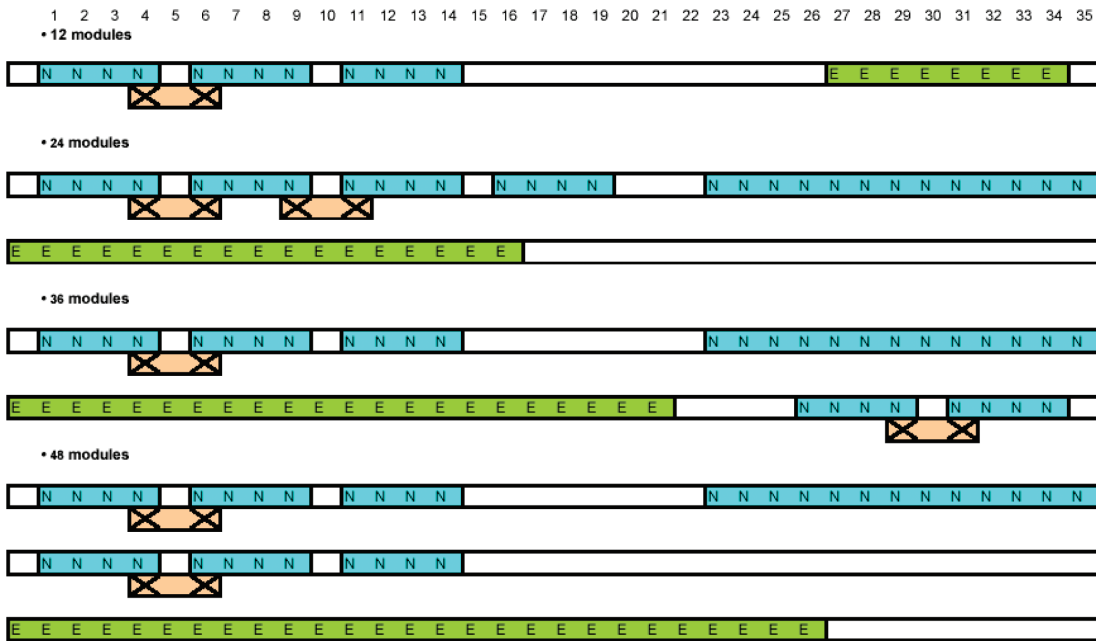
Specifications



Flush mounting blocks & Accessories



Position of Terminal blocks



HPM Legrand - AUS
 1300 369 777
www.hpm.com.au

ABN 31 000 102 661

HPM Legrand - NZ
 0800 476 009
www.hpm.co.nz

Flush Mounting Load Centres

CAT NO. HL12F, HL24F, HL36F, HL48F, HL12FS, HL24FS

Refer to your group buying office, HPM Legrand Sales Representative or
 HPM Legrand Sales Office for pricing.