

Code	Watts (W)	Finish	Burning Position	Product Description	Lamp Voltage (V)	Lamp Current (A)	Initial Lumens (lm)	Colour Temp. (K)	Colour Rendering (Ra)	Life (hrs)	Efficacy (lm/W)	Base	Fig
------	-----------	--------	------------------	---------------------	------------------	------------------	---------------------	------------------	-----------------------	------------	-----------------	------	-----

Sunlux ACE - BT & Elliptical Clear For use with Mercury Vapour Control Gear (IEC 60188)

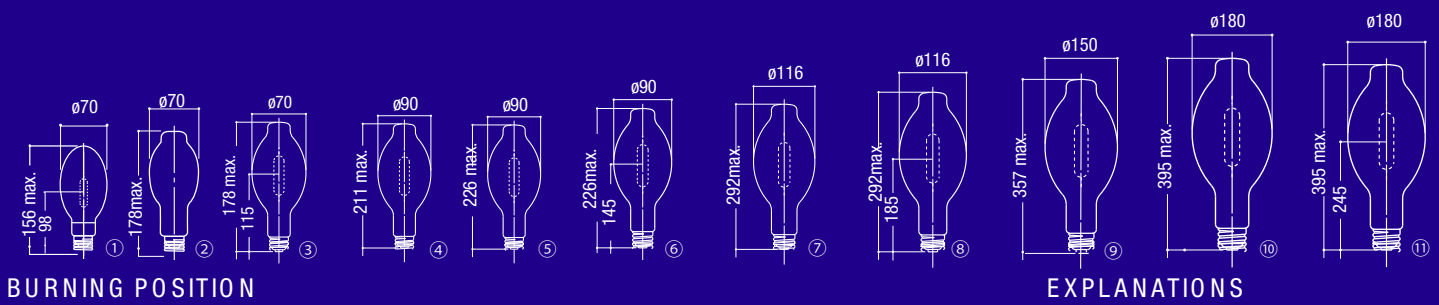
HPS	120230	75	Clear	Universal	NH75-LX/70S	115	0.80	6500	2100	25	20000	86	E27	1
	120235	115	Clear	Universal	NH110-LX	125	1.15	11600	2100	25	24000	100	E27	3
	120240	235	Clear	Universal	NH220-LX	130	2.13	28000	2100	25	24000	119	E40	6
	120245	375	Clear	Universal	NH360-LX	135	3.25	50000	2100	25	24000	133	E40	8
	120330	940	Clear	Universal	NH940-LX	145	7.50	138000	2100	25	24000	146	E40	11

Sunlux ACE - BT & Elliptical Coated For use with Mercury Vapour Control Gear (IEC 60188)

HPS	120335	75	Coated	Universal	NH75F-LX/70S	115	0.80	6200	2100	25	20000	82	E27	1
	120340	115	Coated	Universal	NH110F-LX	125	1.15	11000	2100	25	24000	95	E27	2
	120345	150	Coated	Universal	NH150F-LX	130	1.50	15000	2100	25	24000	100	E40	4
	120350	235	Coated	Universal	NH220F-LX	130	2.13	25500	2100	25	24000	108	E40	5
	120355	375	Coated	Universal	NH360F-LX	135	3.25	46000	2100	25	24000	122	E40	7
	120360	660	Coated	Universal	NH660F-LX	140	5.40	90000	2100	25	24000	136	E40	9
	120365	940	Coated	Universal	NH940F-LX	145	7.50	131000	2100	25	24000	139	E40	10

Pictorial is representative only. Specifications may change without notice.

DIMENSIONS



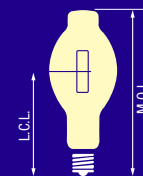
BURNING POSITION

EXPLANATIONS



UNIVERSAL

UNIVERSAL



M.O.L. :
Maximum Overall Length
L.C.L. :
Light Centre Length
(top of base fins)