

VW3A5104

motor choke - 215 A - for variable speed drive- set of 3



Main

Product or component type	Motor choke
Range compatibility	Altivar 61 Altivar 71 Altivar 212 Altivar 61Q Altivar 71Q Altivar Process ATV600 Altivar Process ATV900
Product specific application	Output filter
[In] rated current	215 A
Product compatibility	ATV61HC11Y ATV61HC13Y ATV61HC16Y ATV61HD11N4 ATV61HD15N4 ATV61HD15Y ATV61HD18N4 ATV61HD18Y ATV61HD22N4 ATV61HD22Y ATV61HD30M3X ATV61HD30N4 ATV61HD30Y ATV61HD37M3X ATV61HD37N4 ATV61HD37Y ATV61HD45M3X ATV61HD45N4 ATV61HD45Y ATV61HD55N4 ATV61HD55Y ATV61HD75N4 ATV61HD75Y ATV61HD90N4 ATV61HD90Y ATV61HU55N4 ATV61HU75N4 ATV71HC11Y ATV71HC13Y ATV71HD11N4 ATV71HD11Y ATV71HD15N4 ATV71HD15Y ATV71HD18N4 ATV71HD18Y ATV71HD22N4 ATV71HD22Y ATV71HD30M3X ATV71HD30Y ATV71HD37M3X ATV71HD37N4 ATV71HD37Y ATV71HD45M3X ATV71HD45N4 ATV71HD45Y ATV71HD55N4 ATV71HD55Y ATV71HD75N4 ATV71HD75Y ATV71HD90N4 ATV71HD90Y ATV71HU55N4 ATV71HU75N4 ATV71PU55N4Z ATV71PU75N4Z ATV61HU22S6X ATV61HU30S6X

The information provided in this documentation contains general descriptions and/or technical characteristics of the products contained herein. This documentation is not intended as a substitute for and is not to be used for determining suitability or reliability of these products for specific user applications. It is the duty of any such user or integrator to perform the appropriate and complete risk analysis, evaluation and testing of the products with respect to the relevant specific application or use thereof. Neither Schneider Electric Industries SAS nor any of its affiliates or subsidiaries shall be responsible or liable for misuse of the information contained herein.

ATV61HU40S6X
ATV61HU55S6X
ATV61HU75S6X
ATV71HU15S6X
ATV71HU22S6X
ATV71HU30S6X
ATV71HU40S6X
ATV71HU55S6X
ATV71HU75S6X
ATV212HU15N4
ATV212HD15M3X
ATV71WU55N4
ATV71WU75N4
ATV71PD11N4Z
ATV71WD11N4
ATV71WD15N4
ATV71WD18N4
ATV71WD30N4
ATV71WD37N4
ATV71WD45N4
ATV71WD55N4
ATV71WD75N4
ATV61QC11N4
ATV71QD90N4
ATV61WD11N4
ATV61WD11N4C
ATV61WD15N4
ATV61WD15N4C
ATV61WD18N4
ATV61WD18N4C
ATV61WU55N4
ATV61WU55N4C
ATV61WU75N4
ATV61WU75N4C
ATV61WD22N4
ATV61WD22N4C
ATV61WD30N4
ATV61WD30N4C
ATV61WD37N4
ATV61WD37N4C
ATV212WD15N4
ATV212WD15N4C
ATV61QC13Y
ATV61WD45N4
ATV61WD45N4C
ATV61WD55N4
ATV61WD55N4C
ATV61WD75N4
ATV61WD75N4C
ATV61WD90N4
ATV61WD90N4C
ATV71QC11Y
Variable speed drive ATV630 motor: 2.2 kW
500...690 V three phase
Variable speed drive ATV630 motor: 3 kW
500...690 V three phase
Variable speed drive ATV630 motor: 4 kW
500...690 V three phase
Variable speed drive ATV630 motor: 5.5 kW
500...690 V three phase
Variable speed drive ATV630 motor: 7.5 kW
500...690 V three phase
Variable speed drive ATV630 motor: 11 kW
500...690 V three phase
Variable speed drive ATV930 motor: 2.2 kW
500...690 V three phase
Variable speed drive ATV930 motor: 3 kW
500...690 V three phase
Variable speed drive ATV930 motor: 4 kW
500...690 V three phase
Variable speed drive ATV930 motor: 5.5 kW
500...690 V three phase
Variable speed drive ATV930 motor: 7.5 kW
500...690 V three phase
Variable speed drive ATV930 motor: 11 kW
500...690 V three phase
Variable speed drive ATV630 600 V, 3 hp three
phase
Variable speed drive ATV630 600 V, 5 hp three
phase

Variable speed drive ATV630 600 V, 7.5 hp three phase
Variable speed drive ATV630 600 V, 10 hp three phase
Variable speed drive ATV630 600 V, 15 hp three phase
Variable speed drive ATV930 600 V, 3 hp three phase
Variable speed drive ATV930 600 V, 5 hp three phase
Variable speed drive ATV930 600 V, 7.5 hp three phase
Variable speed drive ATV930 600 V, 10 hp three phase
Variable speed drive ATV930 600 V, 15 hp three phase
Variable speed drive ATV630 motor: 15 kW 500...690 V three phase
Variable speed drive ATV630 motor: 18.5 kW 500...690 V three phase
Variable speed drive ATV630 motor: 22 kW 500...690 V three phase
Variable speed drive ATV630 motor: 30 kW 500...690 V three phase
Variable speed drive ATV630 motor: 37 kW 500...690 V three phase
Variable speed drive ATV630 motor: 45 kW 500...690 V three phase
Variable speed drive ATV630 motor: 55 kW 500...690 V three phase
Variable speed drive ATV630 motor: 75 kW 500...690 V three phase
Variable speed drive ATV630 motor: 90 kW 500...690 V three phase
Variable speed drive ATV930 motor: 15 kW 500...690 V three phase
Variable speed drive ATV930 motor: 18.5 kW 500...690 V three phase
Variable speed drive ATV930 motor: 22 kW 500...690 V three phase
Variable speed drive ATV930 motor: 30 kW 500...690 V three phase
Variable speed drive ATV930 motor: 37 kW 500...690 V three phase
Variable speed drive ATV930 motor: 45 kW 500...690 V three phase
Variable speed drive ATV930 motor: 55 kW 500...690 V three phase
Variable speed drive ATV930 motor: 75 kW 500...690 V three phase
Variable speed drive ATV930 motor: 90 kW 500...690 V three phase
Variable speed drive ATV630 600 V, 20 hp three phase
Variable speed drive ATV630 600 V, 25 hp three phase
Variable speed drive ATV630 600 V, 30 hp three phase
Variable speed drive ATV630 600 V, 40 hp three phase
Variable speed drive ATV630 600 V, 50 hp three phase
Variable speed drive ATV630 600 V, 60 hp three phase
Variable speed drive ATV630 600 V, 75 hp three phase
Variable speed drive ATV630 600 V, 100 hp three phase
Variable speed drive ATV930 600 V, 20 hp three phase
Variable speed drive ATV930 600 V, 25 hp three phase
Variable speed drive ATV930 600 V, 30 hp three phase
Variable speed drive ATV930 600 V, 40 hp three phase
Variable speed drive ATV930 600 V, 50 hp three phase
Variable speed drive ATV930 600 V, 60 hp three phase

Variable speed drive ATV930 600 V, 75 hp three phase
 Variable speed drive ATV930 600 V, 100 hp three phase

Sale per indivisible quantity	3
Electrical connection	Tag connector M10

Complementary

Motor cable length	<p><= 150 m shielded cable P motor 30...45 kW at 200...240 V 1 <= 300 m unshielded cable P motor 30...45 kW at 200...240 V 1 <= 200 m shielded cable P motor 5.5...18.5 kW at 380...480 V 1 <= 300 m unshielded cable P motor 5.5...18.5 kW at 380...480 V 1 <= 150 m shielded cable P motor 22...30 kW at 380...480 V 1 <= 300 m unshielded cable P motor 22...30 kW at 380...480 V 1 <= 150 m shielded cable P motor 45...75 kW at 380...480 V 1 <= 300 m unshielded cable P motor 45...75 kW at 380...480 V 1 <= 150 m shielded cable P motor 2.2...7.5 kW at 500...600 V 1 <= 250 m unshielded cable P motor 2.2...7.5 kW at 500...600 V 1 <= 250 m shielded cable P motor 2.2...7.5 kW at 500...600 V 2 <= 400 m unshielded cable P motor 2.2...7.5 kW at 500...600 V 2 <= 100 m shielded cable P motor 2.2...30 kW at 500...690 V 1 <= 150 m unshielded cable P motor 2.2...30 kW at 500...690 V 1 <= 150 m shielded cable P motor 11...30 kW at 500...690 V 2 <= 250 m unshielded cable P motor 11...30 kW at 500...690 V 2 <= 150 m shielded cable P motor 30...160 kW at 500...690 V 1 <= 250 m unshielded cable P motor 30...160 kW at 500...690 V 1 <= 250 m shielded cable P motor 30...160 kW at 500...690 V 2 <= 300 m unshielded cable P motor 30...90 kW at 500...690 V 2 <= 400 m unshielded cable P motor 90...160 kW at 500...690 V 2 <= 200 m shielded cable P motor 37 kW at 380...480 V 1 <= 300 m unshielded cable P motor 37 kW at 380...480 V 1 <= 200 m shielded cable P motor 90 kW at 380...480 V 1 <= 300 m unshielded cable P motor 90 kW at 380...480 V 1</p>
DV/dt	<p>500 V/μs max at 400 V 750 V/μs max at 500 V 1000 V/μs max at 690 V</p>
Thermal losses	
Output frequency	100 Hz
Ambient air temperature for operation	-10...50 °C
Product weight	15.5 kg

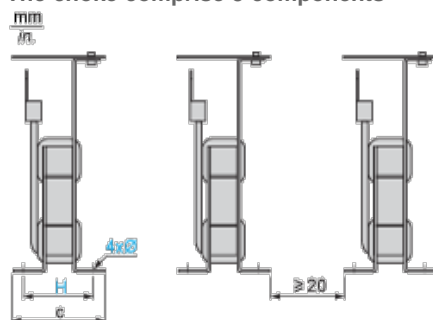
Environment

IP degree of protection	<p>IP00 IP20 (with kits VW3A9612,613)</p>
ambient air temperature for storage	-25...70 °C

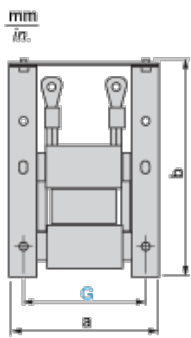
Dimensions

Front View

The choke comprise 3 components



Right View



Dimensions in mm

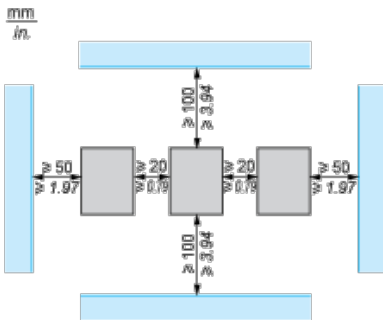
a	b	c	G	H	Ø
170	250	100	150	75	9 x 13

Dimensions in in.

a	b	c	G	H	Ø
6.69	9.84	3.94	5.91	2.95	0.35 x 0.51

Mounting Recommendations

Horizontal Mounting



Vertical Mounting

