

Main

Product or component type	Motor choke
Range compatibility	Altivar 61 Altivar 71 Altivar 212 Altivar Process ATV600 Altivar Process ATV900
Product specific application	Output filter
[In] rated current	90 A
Product compatibility	ATV61H075N4 ATV61HD11M3X ATV61HD11N4 ATV61HD11Y ATV61HD15M3X ATV61HD15N4 ATV61HD15Y ATV61HD18M3X ATV61HD18N4 ATV61HD18Y ATV61HD22M3X ATV61HD22N4 ATV61HD22Y ATV61HD30N4 ATV61HD30Y ATV61HD37N4 ATV61HU15N4 ATV61HU22N4 ATV61HU30M3 ATV61HU30N4 ATV61HU30Y ATV61HU40M3 ATV61HU40N4 ATV61HU40Y ATV61HU55M3 ATV61HU55N4 ATV61HU55Y ATV61HU75M3 ATV61HU75N4 ATV61HU75Y ATV71H075N4 ATV71HD11M3X ATV71HD11N4 ATV71HD11Y ATV71HD15M3X ATV71HD15N4 ATV71HD15Y ATV71HD18M3X ATV71HD18N4 ATV71HD18Y ATV71HD22M3X ATV71HD22N4 ATV71HD22Y ATV71HD30Y ATV71HD37N4 ATV71HU15N4 ATV71HU22N4 ATV71HU22Y ATV71HU30M3 ATV71HU30N4 ATV71HU30Y ATV71HU40M3 ATV71HU40N4 ATV71HU40Y ATV71HU55M3 ATV71HU55N4 ATV71HU55Y ATV71HU75M3 ATV71HU75N4 ATV71HU75Y

The information provided in this documentation contains general descriptions and/or technical characteristics of the performance of the products contained herein. This documentation is not intended as a substitute for and is not to be used for determining suitability or reliability of these products for specific user applications. It is the duty of any such user or integrator to perform the appropriate and complete risk analysis, evaluation and testing of the products with respect to the relevant specific application or use thereof. Neither Schneider Electric Industries SAS nor any of its affiliates or subsidiaries shall be responsible or liable for misuse of the information contained herein.

ATV71P075N4Z
ATV71PU15N4Z
ATV71PU22N4Z
ATV71PU30N4Z
ATV71PU40N4Z
ATV71PU55N4Z
ATV71PU75N4Z
ATV61HU22S6X
ATV61HU30S6X
ATV61HU40S6X
ATV61HU55S6X
ATV61HU75S6X
ATV71HU15S6X
ATV71HU22S6X
ATV71HU30S6X
ATV71HU40S6X
ATV71HU55S6X
ATV71HU75S6X
ATV212H075M3X
ATV212H075N4
ATV212HU15M3X
ATV212HU15N4
ATV212HU22M3X
ATV212HU22N4
ATV212HU30M3X
ATV212HU30N4
ATV212HU40M3X
ATV212HU40N4
ATV212HU55N4
ATV212HD11N4
ATV212HU55M3X
ATV212HU75M3X
ATV212HU75N4
ATV212HD11M3X
ATV71W075N4
ATV71WU15N4
ATV71WU22N4
ATV71WU30N4
ATV71WU40N4
ATV71WU55N4
ATV71WU75N4
ATV71PD11N4Z
ATV71WD11N4
ATV71WD15N4
ATV71WD18N4
ATV71WD30N4
ATV71WD37N4
ATV61W075N4
ATV61W075N4C
ATV61WU15N4
ATV61WU15N4C
ATV61WU22N4
ATV61WU22N4C
ATV61WU30N4
ATV61WU30N4C
ATV61WU40N4
ATV61WU40N4C
ATV61WD11N4
ATV61WD11N4C
ATV61WD15N4
ATV61WD15N4C
ATV61WD18N4
ATV61WD18N4C
ATV61WU55N4
ATV61WU55N4C
ATV61WU75N4
ATV61WU75N4C
ATV212W075N4
ATV212W075N4C
ATV212WD11N4
ATV212WD11N4C
ATV212WU15N4
ATV212WU15N4C
ATV212WU22N4
ATV212WU22N4C
ATV212WU30N4
ATV212WU30N4C
ATV212WU40N4
ATV212WU40N4C
ATV212WU55N4

ATV212WU55N4C
 ATV212WU75N4
 ATV212WU75N4C
 ATV61WD22N4
 ATV61WD22N4C
 ATV61WD30N4
 ATV61WD30N4C
 ATV61WD37N4
 ATV61WD37N4C
 Variable speed drive ATV630 motor: 2.2 kW
 500...690 V three phase
 Variable speed drive ATV630 motor: 3 kW
 500...690 V three phase
 Variable speed drive ATV630 motor: 4 kW
 500...690 V three phase
 Variable speed drive ATV630 motor: 5.5 kW
 500...690 V three phase
 Variable speed drive ATV630 motor: 7.5 kW
 500...690 V three phase
 Variable speed drive ATV630 motor: 11 kW
 500...690 V three phase
 Variable speed drive ATV930 motor: 2.2 kW
 500...690 V three phase
 Variable speed drive ATV930 motor: 3 kW
 500...690 V three phase
 Variable speed drive ATV930 motor: 4 kW
 500...690 V three phase
 Variable speed drive ATV930 motor: 5.5 kW
 500...690 V three phase
 Variable speed drive ATV930 motor: 7.5 kW
 500...690 V three phase
 Variable speed drive ATV930 motor: 11 kW
 500...690 V three phase
 Variable speed drive ATV630 600 V, 3 hp three
 phase
 Variable speed drive ATV630 600 V, 5 hp three
 phase
 Variable speed drive ATV630 600 V, 7.5 hp three
 phase
 Variable speed drive ATV630 600 V, 10 hp three
 phase
 Variable speed drive ATV630 600 V, 15 hp three
 phase
 Variable speed drive ATV930 600 V, 3 hp three
 phase
 Variable speed drive ATV930 600 V, 5 hp three
 phase
 Variable speed drive ATV930 600 V, 7.5 hp three
 phase
 Variable speed drive ATV930 600 V, 10 hp three
 phase
 Variable speed drive ATV930 600 V, 15 hp three
 phase

Sale per indivisible quantity	1
Electrical connection	Bare wires, Ø = 9 mm

Complementary

Motor cable length	<= 300 m shielded cable P motor 2.2...7.5 kW at 200...240 V 1 <= 300 m unshielded cable P motor 2.2...7.5 kW at 200...240 V 1 <= 150 m shielded cable P motor 11...22 kW at 200...240 V 1 <= 300 m unshielded cable P motor 11...22 kW at 200...240 V 1 <= 160 m shielded cable P motor 0.75...18.5 kW at 380...480 V 1 <= 200 m unshielded cable P motor 0.75...18.5 kW at 380...480 V 1 <= 140 m shielded cable P motor 22...30 kW at 380...480 V 1 <= 170 m unshielded cable P motor 22...30 kW at 380...480 V 1 <= 75 m shielded cable P motor 2.2...7.5 kW at 500...600 V 1 <= 150 m unshielded cable P motor 2.2...7.5 kW at 500...600 V 1 <= 65 m shielded cable P motor 2.2...30 kW at 500...690 V 1 <= 100 m unshielded cable P motor 2.2...30 kW at 500...690 V 1 <= 150 m shielded cable P motor 2.2...7.5 kW at 500...690 V 2 <= 250 m unshielded cable P motor 2.2...7.5 kW at 500...690 V 2 <= 100 m shielded cable P motor 2.2...30 kW at 500...690 V 2 <= 150 m unshielded cable P motor 2.2...30 kW at 500...690 V 2 <= 97 m shielded cable P motor 37 kW at 380...480 V 1 <= 166 m unshielded cable P motor 37 kW at 380...480 V 1
--------------------	---

DV/dt	500 V/µs max at 400 V 750 V/µs max at 500 V
-------	--

1000 V/ μ s max at 690 V

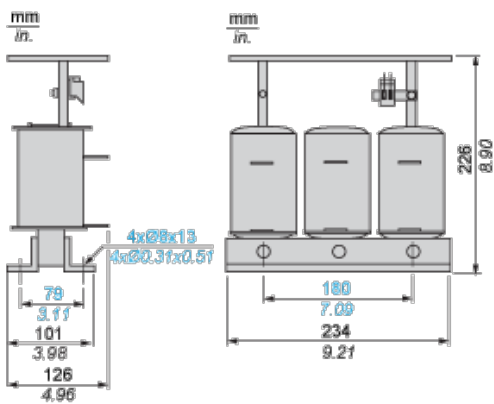
Thermal losses	
Output frequency	100 Hz
Protection type	Thermal protection by temperature-controlled switch, tripping temperature: 125 °C for \leq 250 V AC, \leq 0.5 A
Ambient air temperature for operation	-10...50 °C
Product weight	10 kg

Environment

IP degree of protection	IP00 IP20 (with kits VW3A9612,613)
ambient air temperature for storage	-25...70 °C

Dimensions

Right and Front View



Mounting Recommendations

