

VW3A1102

door mounting kit - for remote graphic terminal -
variable speed drive - IP54



Main

Range of product	Altivar
Accessory / separate part category	Mounting and fixing accessory
Accessory / separate part type	Mounting kit
Accessory / separate part destination	Variable speed drive
Range compatibility	Altivar 61 Altivar 71 Altivar 32 Altivar 212 Altivar 61Q Altivar 71Q Altivar Machine ATV320
IP degree of protection	IP54

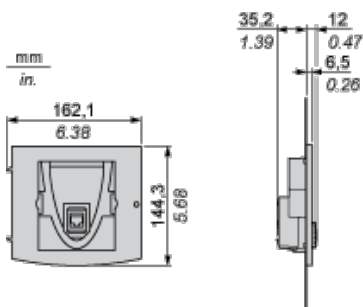
Complementary

Kit composition	Mounting hardware Screws and bolts for mounting
Product weight	0.15 kg

Environment

Door Mounting Kit for Remote Graphic Display Terminal

Dimensions and Mounting



Cuts-outs and drill holes

