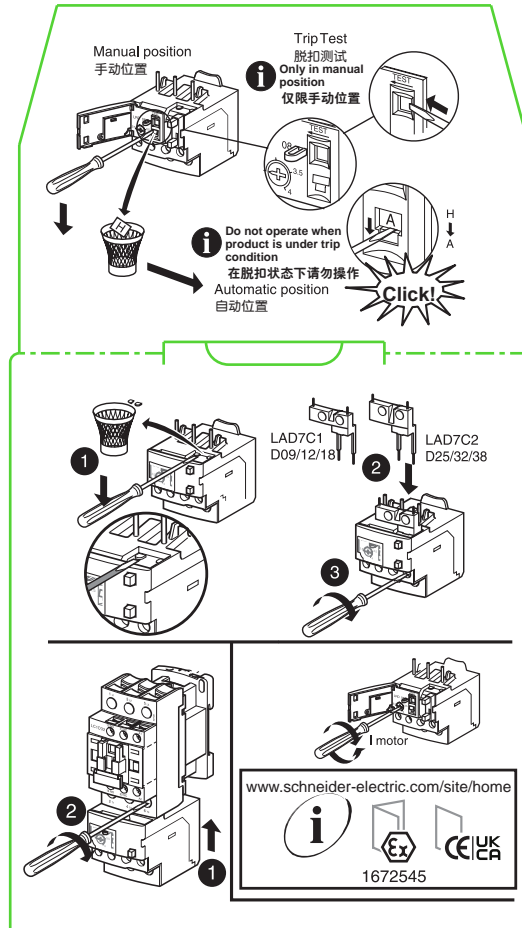


<b>W916455230211A09</b>	IS printed on inside face + Outside Face printed in accordance with Schneider Standard.	<b>MATERIAL</b> BOXBOARD 600grs (GT2-600) - carton plat	<b>MAT PRINTING</b> Text TeSys in GREEN Pantone 355U IS printed in Black 80 %
<b>W916455230131A11</b>	IS printed on inside face + Outside Face printed in white.	<b>MATERIAL</b> BOXBOARD 600grs (GT2-600) - carton plat CLOUDY WHITE OUTSIDE RAW INSIDE	<b>MAT PRINTING</b> IS printed in Black 80 %
SYMBOL ARTICLE		PARAMETRES VU / VU PARAMETERS	



# VERSO

DECOUPE VUE COTE INTERIEUR  
INSIDE VIEW

(mm <sup>2</sup> ) AWG	(mm) inch	(N.m) lb.in.
1...2.5 18...14	8 5/16	1,7 15
1...6 18...10	10 3/8	1,7 15
1.5...6 18...10	10 3/8	1,7 15
1...4 18...10	8 5/16	9,5 3/8

LRD01 to LRD21

(mm <sup>2</sup> ) AWG	(mm) inch	(N.m) lb.in.
1...2.5 18...14	8 5/16	1,7 15
1...6 18...10	10 3/8	1,7 15
1.5...6 18...10	10 3/8	1,7 15
1...4 18...10	8 5/16	9,5 3/8

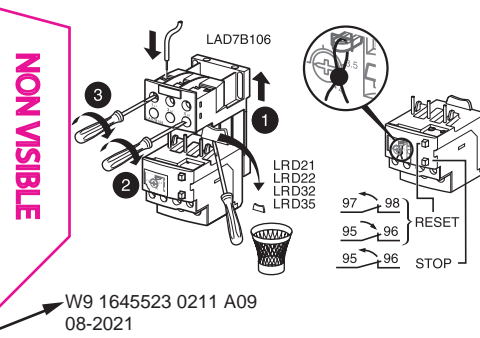
LRD016 to LRD216

(mm <sup>2</sup> ) AWG	(mm) inch	(N.m) lb.in.
1...2.5 18...14	8 5/16	1,7 15
2.5...10 14...8	10 3/8	2,5 20
2.5...10 14...8	10 3/8	2,5 20
1.5...6 18...10	8 5/16	9,5 3/8

LRD22 to LRD35

(mm <sup>2</sup> ) AWG	(mm) inch	(N.m) lb.in.
1...2.5 18...14	8 5/16	1,7 15
2.5...10 14...8	10 3/8	2,5 20
2.5...10 14...8	10 3/8	2,5 20
1.5...6 18...10	8 5/16	9,5 3/8

LRD226 to LRD356



**⚠️ DANGER / 危险**  
**HAZARD OF ELECTRIC SHOCK, EXPLOSION, OR ARC FLASH**  
Disconnect all power before servicing equipment.  
Failure to follow these instructions will result in death or serious injury.  
电击、爆炸或电弧闪光危险  
在此电力设备上进行操作时，请先断开所有电源。  
不遵守上述规定将可能导致人员伤亡。

**⚠️ WARNING / 警告**  
**RISK OF FIRE OR ELECTRIC SHOCK (FOR CONTACTOR WITH UL HI-FAULT SHORT CIRCUIT CURRENT RATINGS ONLY)**  
The opening of the branch-circuit protective device may be an indication that a fault current has been interrupted.  
To reduce the risk of the fire or electrical shock, current-carrying parts and other components of the controller should be examined and replaced if damaged.  
Failure to follow these instructions can result in death, serious injury, or equipment damage.  
可能有火灾或者触电的危险（仅限UL高故障短路电流额定值的接触器）。  
支路保护设备断开，表明故障电流已被中断。  
为降低火灾或触电风险，应检查带电部件和其它控制元件，如有损坏，需及时更换。  
不遵循上述说明可能导致人员伤亡或设备损坏。

xx Selon VU :  
Voir Tableau  
xx According to VU :  
See Table

Schneider Electric Industries SAS  
35, rue Joseph Monier  
92506 Rueil Malmaison  
France

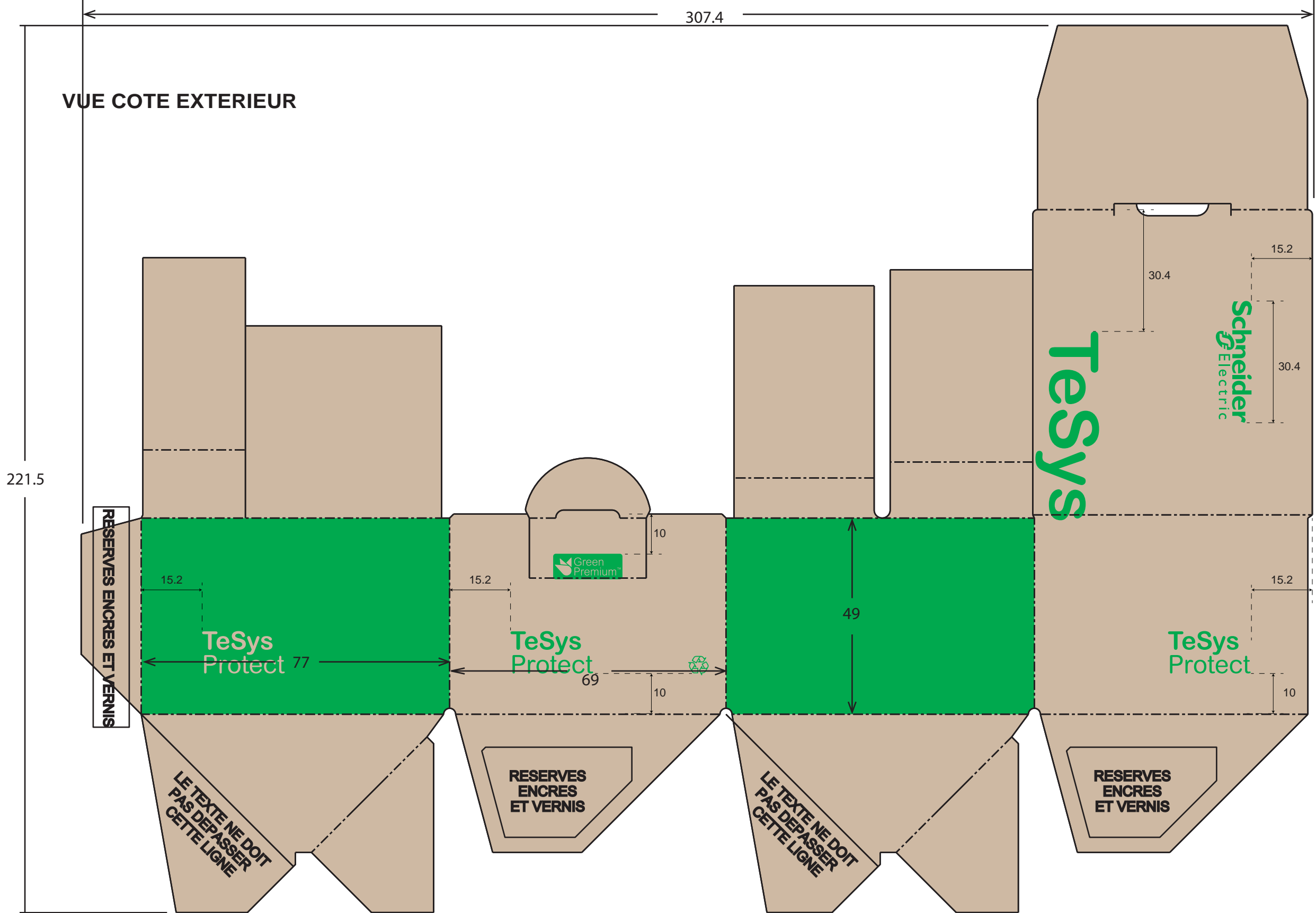
Schneider Electric Limited  
Stafford Park 5  
Telford, TF3 3BL  
United Kingdom  
www.se.com/uk



RESERVES  
ENCRES  
ET VERNIS

RESERVES  
ENCRES  
ET VERNIS

	Scale : 1:1	Tolerancing Standard :	Units of measure : mm
	LRD UNITARY BOX LRD UNITARY BOX		Rev : 16
	Number : <b>164552300A50</b>		Sheet : 01/02
All informations and data contained in this document are the exclusive property of Schneider Electric Industries SAS and may neither be used nor disclosed without its prior written consent		State * : Validated for Tooling Printed on 2022/07/07	FORMAT A3



Carton boxes are recycled natural brown colour,  
 printed with one water-based or vegetable oil-based ink.  
**Colour:** Only one colour is printed: Green Pantone 355U.  
**Typeface:** Arial Rounded Bold & Arial Rounded

	Scale : 1:1	Tolerancing Standard :	Units of measure : mm
	<b>LRD UNITARY BOX</b> LRD UNITARY BOX Number : <b>164552300A50</b>		Rev : <b>16</b> Sheet : <b>02/02</b>
<small>All informations and data contained in this document are the exclusive property of Schneider Electric Industries SAS and may neither be used nor disclosed without its prior written consent</small>		State * : Validated for Tooling Printed on 2022/07/07	FORMAT A3