



## Main

|                               |                                 |
|-------------------------------|---------------------------------|
| Commercial Status             | Commercialised                  |
| Range of product              | Harmony XB4                     |
| Product or component type     | Head for illuminated pushbutton |
| Device short name             | ZB4                             |
| Product compatibility         | Integral LED                    |
| Bezel material                | Chromium plated metal           |
| Mounting diameter             | 22 mm                           |
| Sale per indivisible quantity | 1                               |
| Shape of signaling unit head  | Round                           |
| Type of operator              | Latching                        |
| Reset                         | Push-pull                       |
| Operator profile              | Blue mushroom Ø 40 mm unmarked  |

## Complementary

|                                    |                                     |
|------------------------------------|-------------------------------------|
| CAD overall width                  | 40 mm                               |
| CAD overall height                 | 40 mm                               |
| CAD overall depth                  | 53 mm                               |
| Product weight                     | 0.051 kg                            |
| Resistance to high pressure washer | 7000000 Pa at 55 °C,distance: 0.1 m |
| Mechanical durability              | 500000 cycles                       |

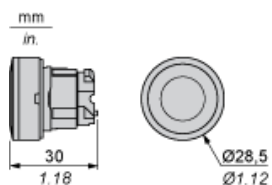
## Environment

|  |  |
|--|--|
| Protective treatment                       | TH   |
| Ambient air temperature for storage        | -40...70 °C  |
| Ambient air temperature for operation      | -25...70 °C  |
| Class of protection against electric shock | Class I conforming to IEC 60536  |
| IP degree of protection                    | IP66 conforming to IEC 60529   |
| NEMA degree of protection                  | NEMA 4X<br>NEMA 13   |
| IK degree of protection                    | IK05 conforming to EN 50102  |
| Standards                                  | CSA C22-2 No 14<br>EN/IEC 60947-1<br>EN/IEC 60947-5-1<br>EN/IEC 60947-5-4<br>EN/IEC 60947-5-5<br>JIS C 4520<br>UL 508                                |
| Product certifications                     | BV<br>CSA<br>DNV<br>GL<br>LROS (Lloyds register of shipping)<br>RINA<br>UL listed  |
| Vibration resistance                       | 5 gn (f = 2...500 Hz) conforming to IEC 60068-2-6  |
| Shock resistance                           | 50 gn for 11 ms half sine wave acceleration conforming to IEC 60068-2-27<br>30 gn for 18 ms half sine wave acceleration conforming to IEC 60068-2-27 |

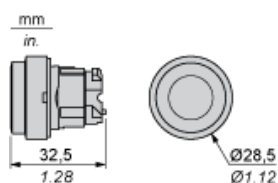
Dimensions of Heads for Illuminated Pushbuttons

Heads for Spring Return Illuminated Pushbuttons, for Light Source Types

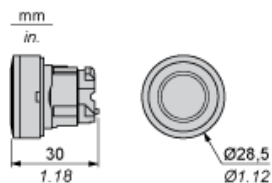
LED, ZB4 BW3•3, ZB4 BW3•3S, ZB4 BW5•3, ZB4 BA•8



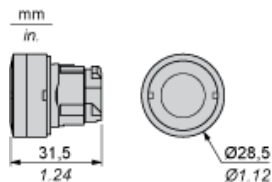
LED, ZB4 BW1•3, ZB4 BL•8



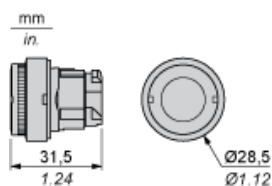
LED, ZB4 BW9•3



Incandescent or neon, ZB4 BW3•3, ZB4 BW3•3S

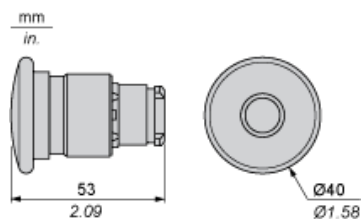


Incandescent or neon, ZB4 BW1•

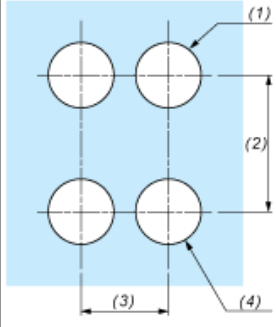
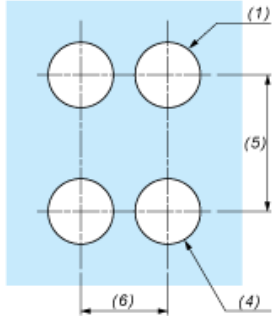


Heads for Ø 40 mm Mushroom Head Illuminated Pushbuttons with LED

ZB4 BW4•3, ZB4 BW6•3

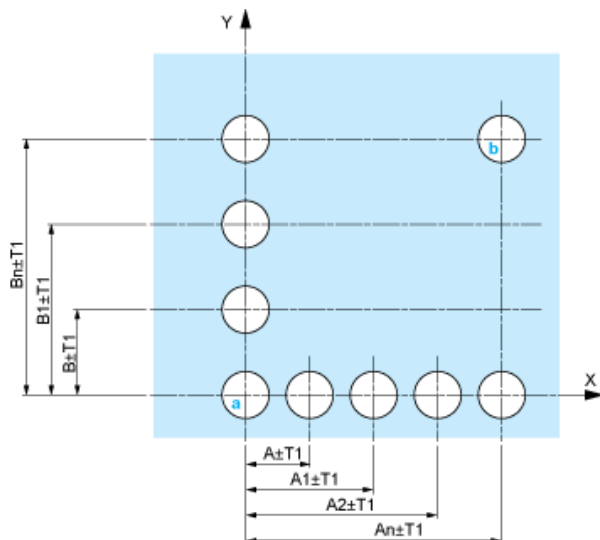


Panel Cut-out for Pushbuttons, Switches and Pilot Lights (Finished Holes, Ready for Installation)

| Connection by Screw Clamp Terminals or Plug-in Connectors or on Printed Circuit Board  | Connection by Faston Connectors  |
|--|--|
|   |  |
| <p>(1) Diameter on finished panel or support<br/>                 (2) 40 mm min. / 1.57 in. min.<br/>                 (3) 30 mm min. / 1.18 in. min.<br/>                 (4) <math>\varnothing 22.5 \text{ mm } / 0.89 \text{ in. recommended } (\varnothing 22.3 \text{ mm }_0^{+0.4} / 0.88 \text{ in. }_0^{+0.016})</math><br/>                 (5) 45 mm min. / 1.78 in. min.<br/>                 (6) 32 mm min. / 1.26 in. min.</p> |  |

Pushbuttons, Switches and Pilot Lights for Printed Circuit Board Connection

Panel Cut-outs (Viewed from Installer's Side)



- A: 30 mm min. / 1.18 in. min.  
 B: 40 mm min. / 1.57 in. min.





- (1) Panel  
(2) Printed circuit board

### Mounting of Adapter (Socket) ZBZ 01•

- 1 2 elongated holes for ZBZ 006 screw access
- 2 1 hole  $\varnothing 2.4 \text{ mm} \pm 0.05 / 0.09 \text{ in.} \pm 0.002$  for centring adapter ZBZ 01•
- 3  $8 \times \varnothing 1.2 \text{ mm} / 0.05 \text{ in.}$  holes
- 4 1 hole  $\varnothing 2.9 \text{ mm} \pm 0.05 / 0.11 \text{ in.} \pm 0.002$ , for aligning the printed circuit board (with cut-out marked a)
- 5 1 elongated hole for aligning the printed circuit board (with cut-out marked b)
- 6 4 holes  $\varnothing 2.4 \text{ mm} / 0.09 \text{ in.}$  for clipping in adapter ZBZ 01•

Dimensions An + 18.1 relate to the  $\varnothing 2.4 \text{ mm} \pm 0.05 / 0.09 \text{ in.} \pm 0.002$  holes for centring adapter ZBZ 01•.