

XSAV12801

inductive sensor XSAV - M30 - Sn10mm -
120..3000c/mn - 24..240VAC/DC - cable 2m



Main

| | |
|------------------------------------|---|
| Range of product | OsiSense XS |
| Series name | Application |
| Sensor type | Inductive proximity sensor |
| Device application | Rotation monitoring |
| Sensor name | XSA |
| Sensor design | Cylindrical M30 |
| Size | 81 mm |
| Body type | Fixed |
| Detector flush mounting acceptance | Flush mountable |
| Material | Metal |
| Enclosure material | Nickel plated brass |
| Type of output signal | Discrete |
| Wiring technique | 2-wire |
| [Sn] nominal sensing distance | 10 mm |
| Discrete output function | 1 NC |
| Output circuit type | AC/DC |
| Electrical connection | Cable |
| Cable length | 2 m |
| [Us] rated supply voltage | 24...240 V AC 50/60 Hz 24...210 V DC |
| Switching capacity in mA | 5...200 mA DC 5...350 mA AC |
| IP degree of protection | IP67 conforming to IEC 60529 |

Complementary

| | |
|----------------------------|----------------------------|
| Thread type | M30 x 1.5 |
| Detection face | Frontal |
| Front material | PPS |
| Adjustable frequency range | 120...3000 cyc/mn |
| Operating zone | 0...8 mm |
| Differential travel | 3...15% of Fr |
| Repeat accuracy | 3% of Sr |
| Cable composition | 2 x 0.34 mm ² |
| Wire insulation material | PvR |
| Status LED | 1 LED red for output state |
| Supply voltage limits | 20...264 V AC/DC |
| Residual current | <= 1.5 mA for open state |
| Switching frequency | <= 800 Hz |
| Voltage drop | <= 5.7 V at closed state |
| Run-up delay at power-up | 9 s standard |
| Marking | CE |
| Threaded length | 57 mm |
| Height | 30 mm |
| Length | 81 mm |
| Product weight | 0.3 kg |

The information provided in this documentation contains general descriptions and/or technical characteristics of the products contained herein. This documentation is not intended as a substitute for and is not to be used for determining suitability or reliability of these products for specific user applications. It is the duty of any such user or integrator to perform the appropriate and complete risk analysis, evaluation and testing of the products with respect to the relevant specific application or use thereof. Neither Schneider Electric Industries SAS nor any of its affiliates or subsidiaries shall be responsible or liable for misuse of the information contained herein.

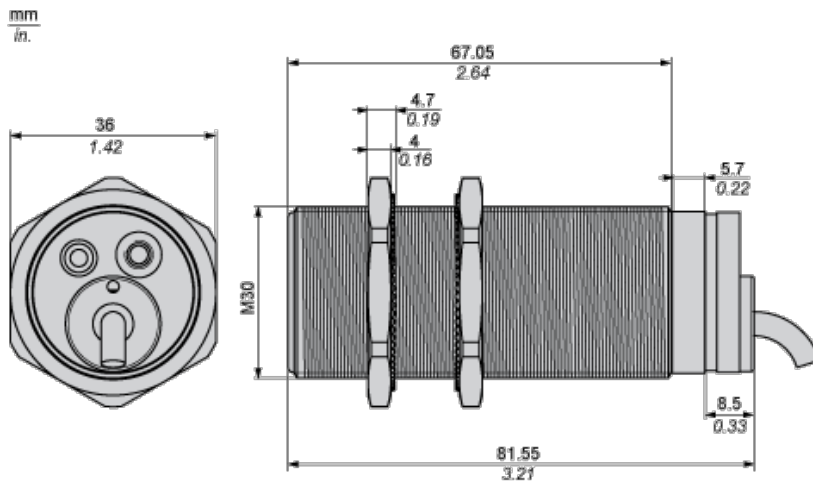
Environment

| | |
|---------------------------------------|------------------|
| product certifications | CCC CSA UL |
| ambient air temperature for operation | -25...70 °C |

Offer Sustainability

| | |
|----------------------------------|---|
| Sustainable offer status | Green Premium product |
| RoHS (date code: YYWW) | Compliant - since 0846 - Schneider Electric declaration of conformity |
| REACH | Reference not containing SVHC above the threshold |
| Product environmental profile | Available |
| Product end of life instructions | Available |

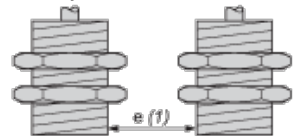
Dimensions



(1) LED

Minimum Mounting Distances

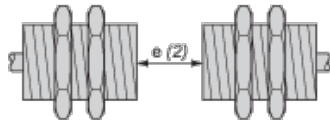
Side by side



e (1) 20 mm/0.79 in

≥

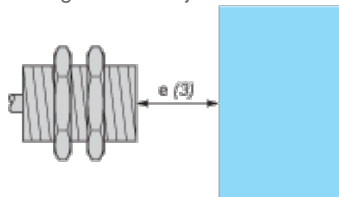
Face to face



e (2) 120 mm/4.72 in

≥

Facing a metal object

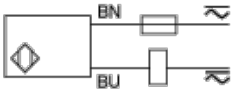


e (3) 30 mm/1.18 in.

≥

Wiring Schemes

2-wire AC or DC

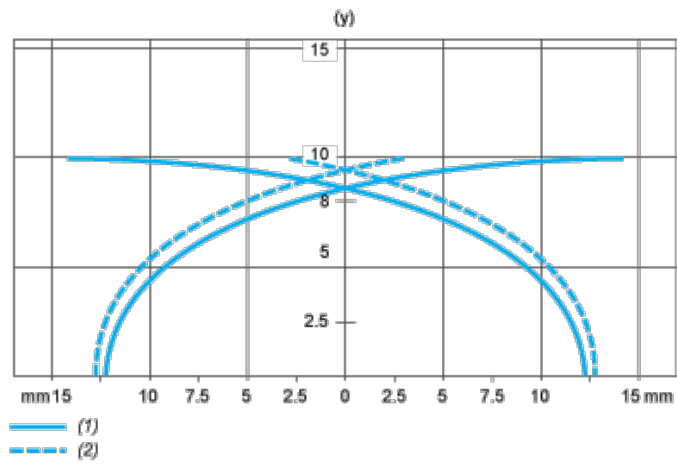


BU : Blue

BN : Brown

Performance Curves

Standard Steel Target : 30x30x1 mm



- (1) Pick-up points
- (2) Drop-out points (object approaching from the side)
- (y) Sensing distance in mm