

RPZF1

socket RPZ - mixed contact - 16 A - 250 V - screw clamp



Main

Range of product	Zelio Relay
Product or component type	Socket
Contact terminal arrangement	Mixed
Product compatibility	Plug-in relay RPM (1 C/O)
Device short name	RPZ

Complementary

[Ith] conventional free air thermal current	15 A
[Ue] rated operational voltage	250 V
Tightening torque	< 0.8 N.m (M3 screw(s)) < 1 N.m (M3.5 screw(s))
Fixing mode	By screw mounting on panel Clip-on mounting on 35 mm symmetrical DIN rail
Product weight	0.031 kg

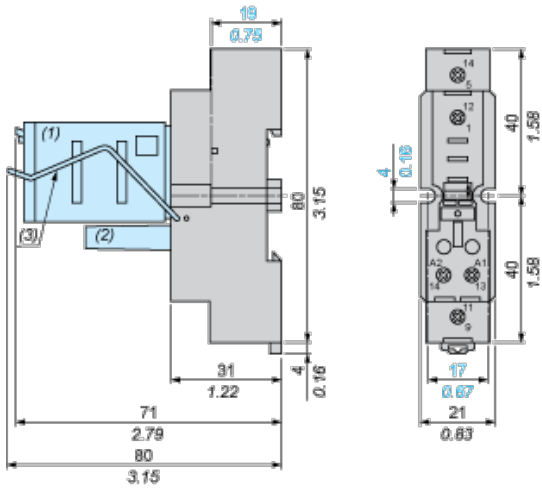
Environment

connections - terminals	Contact terminal - screw clamp terminals, 2 wires solid cable without cable end 0.5...4 mm ² / AWG 20...AWG 12 Contact terminal - screw clamp terminals, 1 wire solid cable without cable end 0.5...4 mm ² / AWG 20...AWG 12 Contact terminal - screw clamp terminals, 2 wires flexible cable with cable end 0.5...2.5 mm ² / AWG 20...AWG 14 Contact terminal - screw clamp terminals, 1 wire flexible cable with cable end 0.5...2.5 mm ² / AWG 20...AWG 14 Coil terminal - screw clamp terminals, 2 wires solid cable without cable end 0.5...2.5 mm ² / AWG 20...AWG 14 Coil terminal - screw clamp terminals, 1 wire solid cable without cable end 0.5...2.5 mm ² / AWG 20...AWG 14 Coil terminal - screw clamp terminals, 2 wires flexible cable with cable end 0.5...1.5 mm ² / AWG 20...AWG 16 Coil terminal - screw clamp terminals, 1 wire flexible cable with cable end 0.5...1.5 mm ² / AWG 20...AWG 16
standards	IEC 61984 UL 508 CSA C22.2 No 14
product certifications	CE CSA RoHS UL REACH EAC China RoHS
ambient air temperature for storage	-40...85 °C
ambient air temperature for operation	-40...55 °C
IP degree of protection	IP20 conforming to EN/IEC 60529
dielectric strength	2500 V

Dimensions

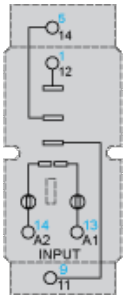
The information provided in this documentation contains general descriptions and/or technical characteristics of the products contained herein. This documentation is not intended as a substitute for and is not to be used for determining suitability or reliability of these products for specific user applications. It is the duty of any such user or integrator to perform the appropriate and complete risk analysis, evaluation and testing of the products with respect to the relevant specific application or use thereof. Neither Schneider Electric Industries SAS nor any of its affiliates or subsidiaries shall be responsible or liable for misuse of the information contained herein.

mm
in.



- (1) Relays
- (2) Protection module
- (3) Maintaining clamp

Wiring Diagram



Symbols shown in blue correspond to Nema marking.