

# RE48ATM12MW

on-delay timing relay - 0.02 s..300 h - 24..240 V AC - 2 OC



## Main

Range of product	Zelio Time
Product or component type	Electronic timing relay
Electrical connection	8 pin plug-in sub-base
Discrete output type	Relay
Contacts type and composition	2 C/O timed contacts AgNi (cadmium free)
Component name	RE48
Time delay type	A
Time delay range	0.02...1.2 s 0.05...3 s 0.2...12 s 0.5...30 s 2...120 h 2...120 min 2...120 s 5...300 h 5...300 min 5...300 s 0.2...12 h 0.2...12 min 0.5...30 h 0.5...30 min
[Us] rated supply voltage	24...240 V AC/DC 50/60 Hz
Voltage range	0.85...1.1 Us AC 0.9...1.1 Us DC
[In] rated current	5 A

## Complementary

Product front plate size	48 x 48 mm
Control type	Selector switch on front panel
Housing material	Self-extinguishing
Repeat accuracy	+/- 0.2 % of the maximum setting value conforming to IEC 61812-1
Temperature drift	+/- 0.02 %/°C of the maximum setting value conforming to IEC 61812-1
Voltage drift	+/- 0.2 %/V of the maximum setting value at 48...240 V +/- 1 %/V of the maximum setting value at 24...48 V
Setting accuracy of time delay	+/- 5 % of full scale at 25 °C conforming to IEC 61812-1
Minimum pulse duration	20 ms
Reset time	>= 25 ms on de-energisation
Pick up duration	55 ms
On-load factor	100 %
Power consumption in VA	1.1 VA at 24 V 4.8 VA at 240 V
Power consumption in W	0.5 W at 24 V 1.7 W at 240 V
Breaking capacity	1250 VA
Minimum switching current	100 mA
Maximum switching current	5 A
Maximum switching voltage	250 V AC/DC
Electrical durability	100000 cycles
Mechanical durability	30000000 cycles
Output voltage	240 V at 5 A AC-12 30 V at 2 A DC-13 240 V at 1.5 A AC-15
Marking	CE

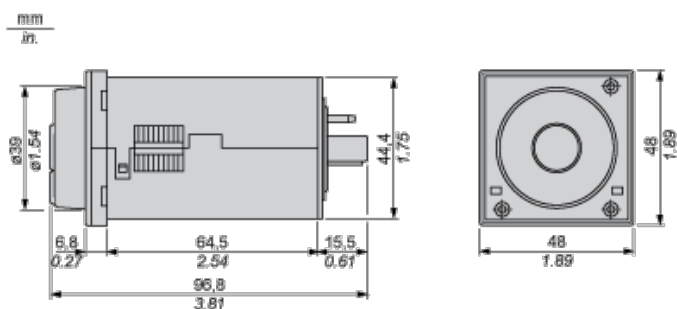
The information provided in this documentation contains general descriptions and/or technical characteristics of the products contained herein. This documentation is not intended as a substitute for and is not to be used for determining suitability or reliability of these products for specific user applications. It is the duty of any such user or integrator to perform the appropriate and complete risk analysis, evaluation and testing of the products with respect to the relevant specific application or use thereof. Neither Schneider Electric Industries SAS nor any of its affiliates or subsidiaries shall be responsible or liable for misuse of the information contained herein.

Surge withstand	1 kV differential mode conforming to IEC 61000-4-5 level 3 2 kV common mode conforming to IEC 61000-4-5 level 3
Mounting support	Base mounted: socket Panel mounted: system supplied with the product
Local signalling	1 LED yellow output relay state LED indicator green flashing: relay energised timing in progress LED indicator green on steady: relay energised, no timing in progress
Product weight	0.14 kg

## Environment

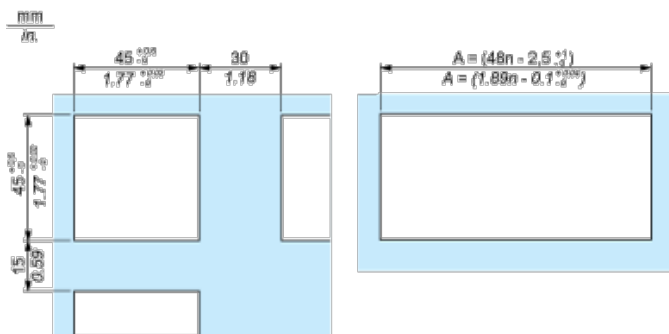
humidity drift	+/- 0.05 %/%RH of the maximum setting value conforming to IEC 61812-1
immunity to microbreaks	< 10 ms
dielectric strength	1 kV at 1 mA/1 minute conforming to IEC 61812-1
protection against electric shocks	4 kV class III conforming to IEC 60664-1 4 kV class III conforming to IEC 61812-1
standards	73/23/EEC 89/336/EEC 93/68/EEC EN 50081-1/2 EN 50082-1/2 IEC 60669-2-3 IEC 61812-1
product certifications	CSA C-Tick CULus GL UL
ambient air temperature for storage	-40...70 °C
ambient air temperature for operation	-20...50 °C
IP degree of protection	IP40 housing conforming to IEC 60529 IP50 front face conforming to IEC 60529
vibration resistance	0.35 mm 10...55 Hz conforming to IEC 60068-2-6
relative humidity	93 % without condensation conforming to IEC 60068-2-3
resistance to electrostatic discharge	6 kV at in contact conforming to EN/IEC 61000-4-2 level 3 8 kV at in air conforming to EN/IEC 61000-4-2 level 3
resistance to electromagnetic fields	10 V/m 26 MHz to 1 GHz conforming to IEC 61000-4-3 level 3
resistance to fast transients	2 kV capacitive connecting clip conforming to EN/IEC 61000-4-4 level 4 4 kV direct conforming to EN/IEC 61000-4-4 level 4
immunity to radioelectric fields	10 V at 0.15...80 MHz conforming to EN/IEC 61000-4-6 level 3
immunity to voltage dips	30 % for 10 ms conforming to EN/IEC 61000-4-11 60 % for 100 ms conforming to EN/IEC 61000-4-11 95 % for 5 s conforming to EN/IEC 61000-4-11
disturbance radiated/conducted	Class B at 0.15...30 MHz conforming to EN 55022 (EN 55011 group 1)

## Width 48 mm



## Panel Cut-Out and Mounting

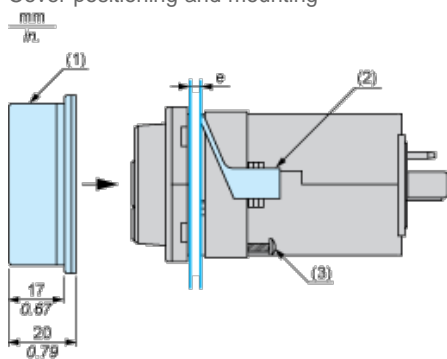
### Panel Cut-Out



n Number of devices mounted side-by-side

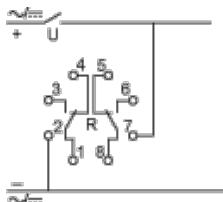
### Mounting

Cover positioning and mounting



- e Panel thickness
- 1 Protective cover
- 2 Panel mounting frame
- 3 Locating screw

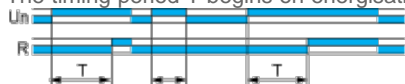
### Wiring Diagram



### Function A : Power on Delay Relay

#### Description

The timing period T begins on energisation. After timing, the output closes. The second output is instantaneous.



### Legend

- Relay de-energised
- Relay energised
- Output open
- Output closed

C Control contact

G Gate

R Relay or solid state output

R1/R22 timed outputs

R2 The second output is instantaneous if the right position is selected

**inst.**

**T** Timing period

**Ta** - Adjustable On-delay

**Tr** - Adjustable Off-delay

**U** Supply