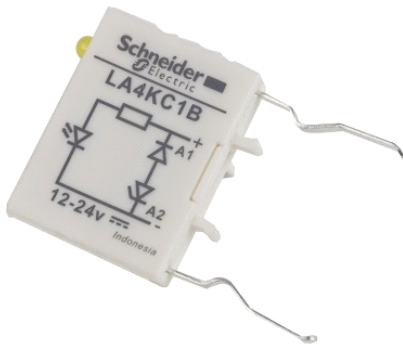


LA4KC1B

TeSys K - Suppressor module - bidirectional peak limiting diode - 12...24 V



Main

| | |
|---------------------------|-------------------|
| Range | TeSys |
| Device short name | LA4K |
| Product or component type | Suppressor module |
| Product compatibility | LC1 LP1 |

Complementary

| | |
|------------------------------|-----------------------------------|
| Mounting location | Front side |
| Mounting mode | Clip-on |
| Suppressor technology | Bidirectional peak limiting diode |
| [Uc] control circuit voltage | 12...24 V DC |
| Maximum peak voltage | 2 Uc |
| Local signalling | LED |
| Quantity per set | Set of 5 |
| Height | 25 mm |
| Width | 6 mm |
| Depth | 22 mm |
| Product weight | 0.01 kg |

Environment

| | |
|---------------------------------------|--|
| standards | BS 5424 IEC 60947 NF C 63-110 VDE 0660 |
| product certifications | CSA UL |
| IP degree of protection | IP2x conforming to VDE 0106 |
| protective treatment | TC conforming to IEC 60068 TC conforming to DIN 50016 |
| ambient air temperature for operation | -25...50 °C |
| ambient air temperature for storage | -50...80 °C |

Offer Sustainability

| | |
|----------------------------------|---|
| Sustainable offer status | Not Green Premium product |
| RoHS (date code: YYWW) | Compliant - since 0650 - Schneider Electric declaration of conformity |
| Product end of life instructions | Need no specific recycling operations |

The information provided in this documentation contains general descriptions and/or technical characteristics of the performance of the products contained herein. This documentation is not intended as a substitute for and is not to be used for determining suitability or reliability of these products for specific user applications. It is the duty of any such user or integrator to perform the appropriate and complete risk analysis, evaluation and testing of the products with respect to the relevant specific application or use thereof. Neither Schneider Electric Industries SAS nor any of its affiliates or subsidiaries shall be responsible or liable for misuse of the information contained herein.