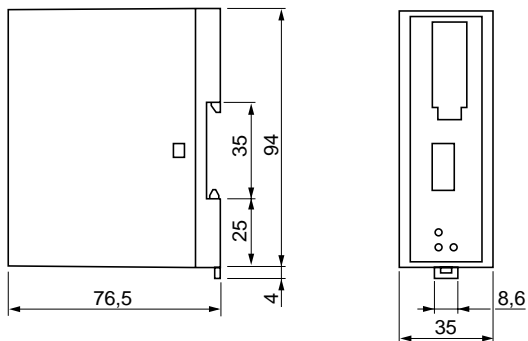
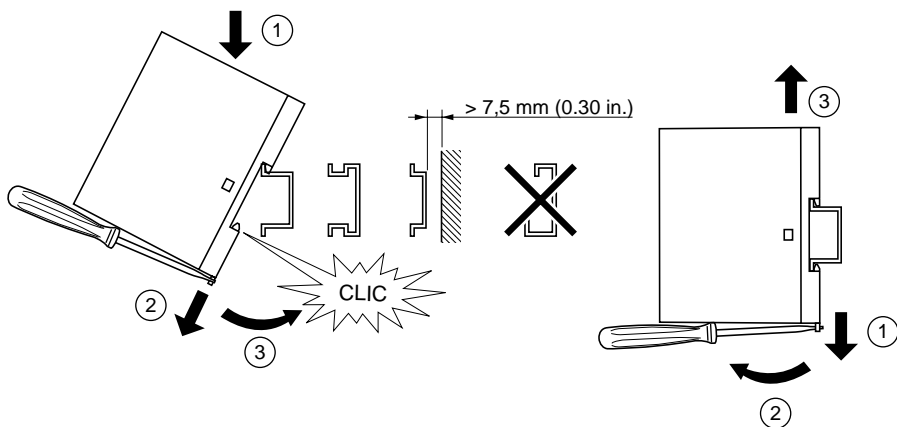
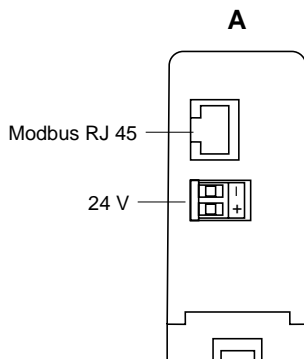
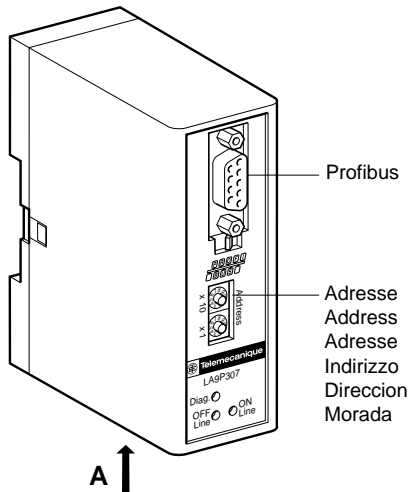


# Telemecanique LA9P307



W9 1523091 01 11 A01

**Schneider**  
**Electric**