



**30 Ampere Disconnect Switches with Flange Mounted Operating Mechanism
Used in Classes 8538 and 8738 —
Type SB Series C Size 0 and Type SC Series C Size 1
3-Pole AC Combination Starters**

WARNING: Be sure to open the back-up disconnect device ahead of the combination starter before inspecting or servicing the disconnect switch. Do not operate starter or disconnect switch with arc chamber cover or arc suppressor removed.

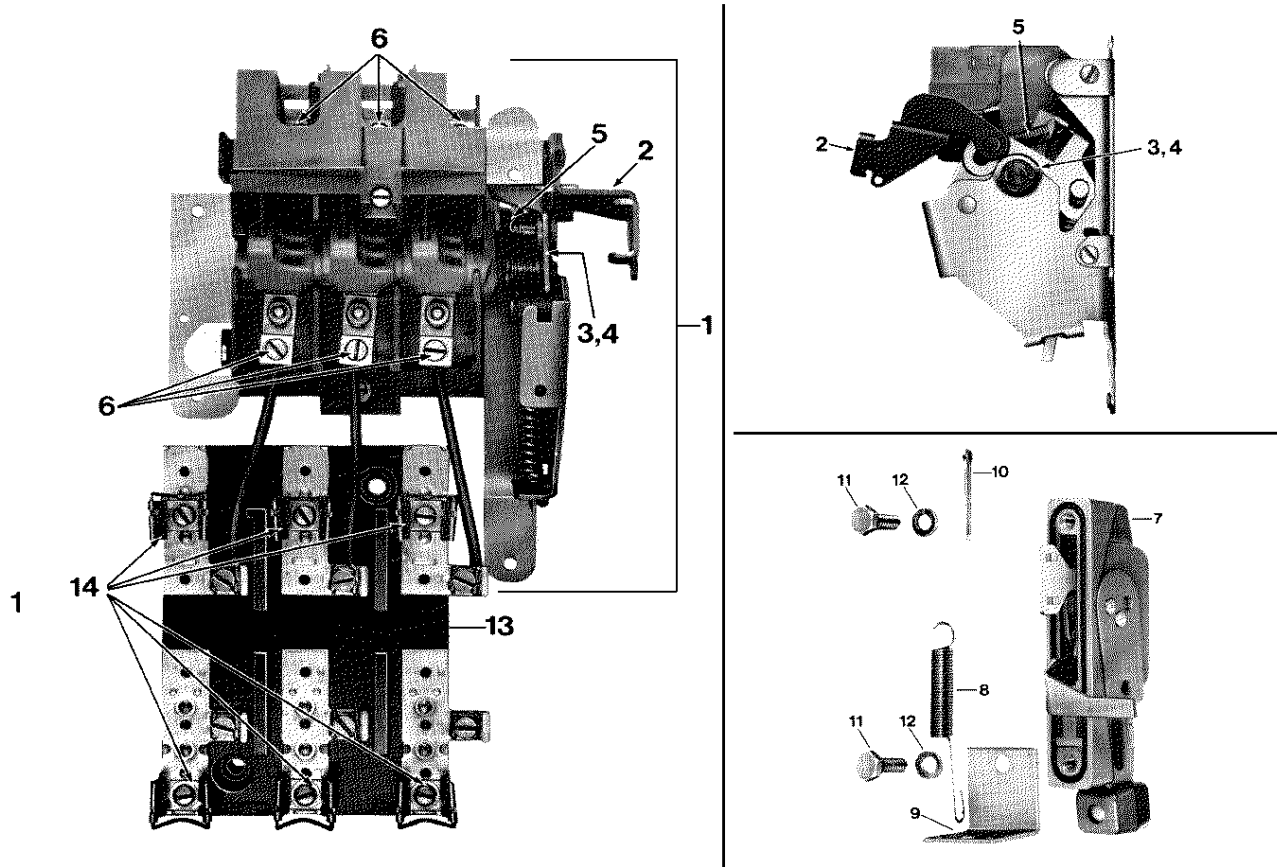


TABLE I PARTS LIST

Item No.	Description	Part Number	Quantity Required
1	Complete Disconnect Switch Assembly with operating mechanism — includes Items 2-6	31301-014-52	1
2	Link Assembly	31301-012-50	1
3	Washer	31301-006-01	2
4	E-Ring	29907-016-10	1
5	Spring	31301-010-01	1
6	Lug	25065-03800	6
7	Handle Assembly		
	For NEMA Type 1 or 12 enclosure	31055-229-51	1
	For NEMA Type 4 enclosure	31055-229-52	1
8	Return Spring	30017-143-01	1
9	Spring Holder	31055-249-01	1
10	Cotter Pin	24201-08400	1
11	Hex. Head Cap Screw	21401-20200	2
12	Lock Washer	23701-00200	2
13	Fuse Block	9999 SF-1	1
14	Fuse Clips	See Table 2	



TABLE 2 FUSE CLIP KITS† — For use with 30 Ampere Disconnect Switch

NEMA Starter Size	INTERCHANGEABLE				NON-INTERCHANGEABLE			
	Class H Fuses		Class 9999 Type	Class J Fuses		Class 9999 Type	Class R Fuses⊕	
	Fuse Clip Rating — Amps.			Fuse Clip Rating — Amps.			Fuse Clip Rating — Amps.	
	250 V. Max.	600 V. Max.		250 V. Max.	600 V. Max.		250 V. Max.	600 V. Max.
0 & 1	0-30	...	S-1	0-30	...	SR-1
0	...	0-30	S-2	0-30	SJ-2	...	0-30	SR-2
1	31-60	0-30	S-2	0-30	SJ-2	31-60	0-30	SR-2

† Each kit includes six fuse clips, mounting hardware, and instruction sheet.
 ⊕ Clips cannot be removed, once installed.

ELECTRICAL INTERLOCK

A one or two pole electrical interlock kit may be added to the switch operating mechanism. The snap switch in the interlock kit may be replaced on existing installations. See table 3.

TABLE 3

Electrical Interlock Type	Electrical Interlock Mechanism Complete		Replacement Snap Switch Only	
	Class	Type	Class	Type
Single pole	9999	R45	9007	AO-1
Double pole	9999	R46	9007	CO-3

ORDERING INSTRUCTIONS

Specify quantity, part number and description of part.



California Proposition 65 Warning—Lead and Lead Compounds

Advertencia de la Proposición 65 de California—Plomo y compuestos de plomo

Avertissement concernant la Proposition 65 de Californie—Plomb et composés de plomb

⚠️ WARNING: This product can expose you to chemicals including lead and lead compounds, which are known to the State of California to cause cancer and birth defects or other reproductive harm. For more information go to: www.P65Warnings.ca.gov.

⚠️ ADVERTENCIA: Este producto puede exponerle a químicos incluyendo plomo y compuestos de plomo, que es (son) conocido(s) por el Estado de California como causante(s) de cáncer y defectos de nacimiento u otros daños reproductivos. Para mayor información, visite : www.P65Warnings.ca.gov.

⚠️ AVERTISSEMENT: Ce produit peut vous exposer à des agents chimiques, y compris plomb et composés de plomb, identifiés par l'État de Californie comme pouvant causer le cancer et des malformations congénitales ou autres troubles de l'appareil reproducteur. Pour de plus amples informations, prière de consulter: www.P65Warnings.ca.gov.

All trademarks are the property of Schneider Electric SE, its subsidiaries, and affiliated companies.

Schneider Electric USA, Inc.
800 Federal Street
Andover, MA 01810 USA
888-778-2733
www.schneider-electric.us

Todas las marcas comerciales son propiedad de Schneider Electric SE, sus filiales y compañías afiliadas.

Importado en México por:
Schneider Electric México, S.A. de C.V.
Av. Ejercito Nacional No. 904
Col. Palmas, Polanco 11560 México, D.F.
55-5804-5000
www.schneider-electric.com.mx

Toutes les marques commerciales sont la propriété de Schneider Electric SE, ses filiales et compagnies affiliées.

Schneider Electric Canada, Inc.
5985 McLaughlin Road
Mississauga, ON L5R 1B8 Canada
800-565-6699
www.schneider-electric.ca