



Main

Range of product	Harmony 9001SK
Product or component type	Head for spring return push-button
Device short name	9001SK
Operator profile	Projecting, marking: unmarked
Operator additional information	Set of 7 color caps

Complementary

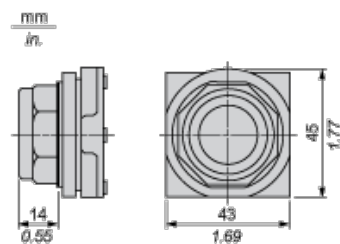
Mounting diameter	30 mm
Shape of signaling unit head	Round
Type of operator	Spring return
Product weight	0.05 kg

Environment

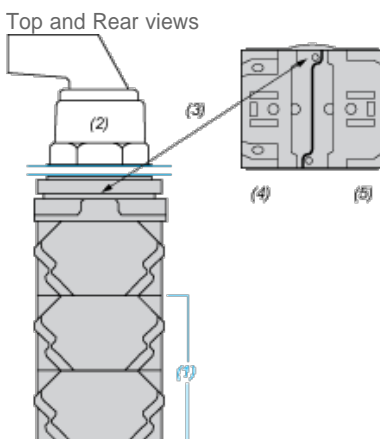
Offer Sustainability

Sustainable offer status	785901513605
RoHS (date code: YYWW)	Compliant - since 0921 - Schneider Electric declaration of conformity
REACH	Reference not containing SVHC above the threshold

Dimensions



Contact Block Mounting Position



- (1) It is possible to mount up to 3 levels of contacts blocks (maximum of 6 contacts blocks)
- (2) Operator
- (3) Locating notch
- (4) Side 1
- (5) Side 2