

9001K31

joystick controller - Ø 30 - 3 vertical positions spring
return - w/o contact



Main

| | |
|-------------------------------|----------------------------|
| Range of product | Harmony 9001K |
| Product or component type | Joystick controller |
| Device short name | 9001K |
| Sale per indivisible quantity | 1 |
| Type of operator | Spring return |
| Operator profile | 80 mm long operating shaft |

Complementary

| | |
|-------------------------------|-----------------------|
| Bezel material | Chromium plated metal |
| Mounting diameter | 30 mm |
| Product weight | 0.372 kg |
| Operating position | Vertical |
| Shape of signaling unit head | Octagonal |
| Operator position information | 3 positions |
| Contacts type and composition | Without contact block |
| Device presentation | Basic element |

Environment

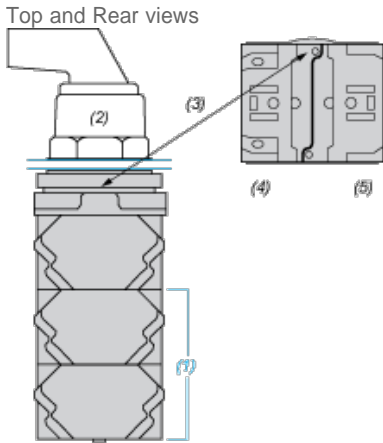
| | |
|---------------------------------------|--|
| protective treatment | TC |
| ambient air temperature for storage | -40...70 °C |
| ambient air temperature for operation | -25...70 °C |
| overvoltage category | II conforming to IEC 61140 |
| IP degree of protection | IP66 conforming to IEC 60529 |
| NEMA degree of protection | NEMA 1 NEMA 12 NEMA 13 NEMA 2 NEMA 3 NEMA 3R NEMA 4 |
| standards | EN/IEC 60947-1 EN/IEC 60947-5-1 EN/IEC 60947-5-4 JIS C 4520 JIS C 852 UL 508 CSA C22.2 No 14 |
| product certifications | NEMA UL 508 |
| vibration resistance | 7 gn (f = 2...500 Hz) conforming to IEC 60068-2-6 |
| shock resistance | 50 gn conforming to IEC 60068-2-27 |

Offer Sustainability

| | |
|--------------------------|---|
| Sustainable offer status | 785901077107 |
| RoHS (date code: YYWW) | Compliant - since 0921 - Schneider Electric declaration of conformity |
| REACH | Reference not containing SVHC above the threshold |

The information provided in this documentation contains general descriptions and/or technical characteristics of the products contained herein. This documentation is not intended as a substitute for and is not to be used for determining suitability or reliability of these products for specific user applications. It is the duty of any such user or integrator to perform the appropriate and complete risk analysis, evaluation and testing of the products with respect to the relevant specific application or use thereof. Neither Schneider Electric Industries SAS nor any of its affiliates or subsidiaries shall be responsible or liable for misuse of the information contained herein.

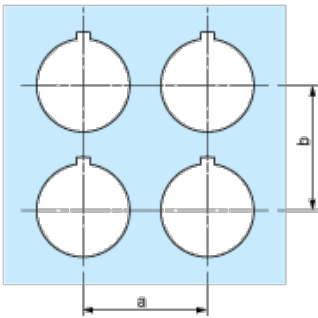
Contact Block Mounting Position



- (1) It is possible to mount up to 3 levels of contacts blocks (maximum of 6 contacts blocks)
- (2) Operator
- (3) Locating notch
- (4) Side 1
- (5) Side 2

Panel Cut-Out

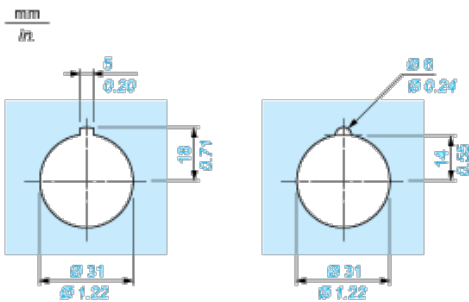
Clearance



| Legend plate | a min. | | b min. | |
|--------------|--------|------|--------|------|
| | mm | in. | mm | in. |
| 9001KN2** | 57.2 | 2.25 | 44.5 | 1.75 |
| 9001KN3** | 57.2 | 2.25 | 50.8 | 2.00 |

Individual Cut-outs Details

2 alternatives



Joystick Positions

