

Step relays

DIN rail and panel mount

26 series

- Screw terminal connection
- Panel mountable
- Silent operation






Cat. No.

26.01...V AC
26.02...V AC
26.03...V AC

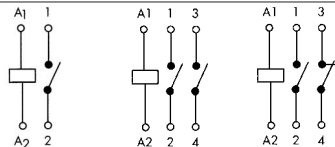
Contact specifications

Contact configuration	1 N/O	2 N/O	1 N/O + 1 N/C
Rated current	10 A		
Rated voltage	250 V AC		
Rated load in AC 1	2,500 VA		
Rated load in AC 15 (230 V AC)	500 VA		
Nominal lamp rating: incandescent (230 V)	800 W		
Compensated fluorescent (230 V)	360 W		
Uncompensated fluorescent (230 V)	500 W		
Halogen lamps (230 V)	800 W		
Maximum peak current	20 A		
Maximum switching voltage	400 V AC		
Minimum switching load	1,000 mW		

Coil specifications


Nominal voltage (U _N)	(50/60 Hz) AC	12  , 24, 48  , 110  , 240
	DC	–
Rated power AC/DC		4.5 VA
Operation range	(50 Hz) AC	(0.8...1.1) U _N
	DC	–
Maximum pulse duration (EN 60669)		1 hour

Technical data

Mechanical life AC/DC	300.10 ³ cycles
Electrical life @ rated load AC 1	100.10 ³ cycles
Insulation between coil and contacts	4 kV
Ambient temperature range	-40 °C...+40 °C
Protection rating	IP 20
Connection diagram	 <p>26.01 26.02 26.03</p>

Operation	On receipt of voltage signal to the relay coil, the contacts change state to the opposite position. Ideal for two way light switching.
-----------	--

Notes: The equipment on this page is rated 230/400 V and is suitable for use on 240/415 V systems as per AS 60038:2000.

 Available on indent only.

Relay dimensions (mm)

26 Series

Cat. No. 26.01, 26.02, 26.03

