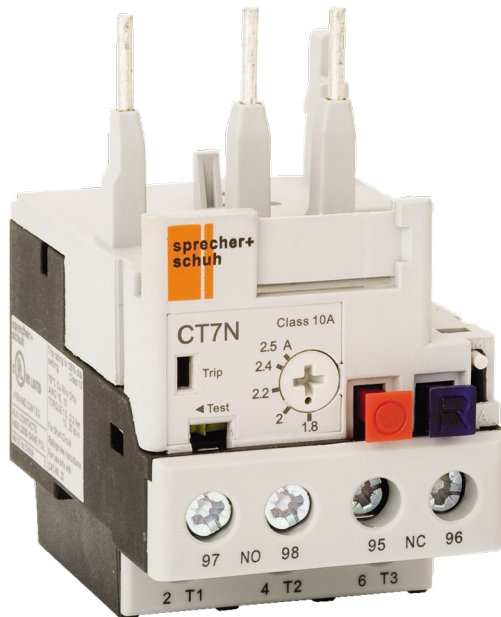


# Catalogue No: CT7N-23-A40

## OVERLOAD THERMAL 0.25-0.4A FOR CA7-9/23

Motor Control and Drives > Motor Starting and Protection > Motor Protection > Sprecher + Schuh Overloads > Thermal (Bi-Metallic) Overloads > CT7N Thermal Overloads



Representative Photo Only  
(actual product may vary based on configuration selections)

Thermal Overload Relay, 0.25...0.4A, for use with CA7-9...23, Trip Class 10A, Auto/Manual Reset

- Consistent and reliable protection for peace of mind
- Differential release for phase loss sensitivity and protection of motors in phase loss conditions
- Ambient temperature compensation from -20°C to +60°C for consistent performance

### SPECIFICATIONS

|                         |                          |                    |
|-------------------------|--------------------------|--------------------|
| Component Type          | Motor Control and Drives | Thermal Overload   |
| Adjustment              |                          | 1.5 : 1            |
| Current Range (A)       |                          | 0.25...0.4         |
| Details, Contactor      |                          | CA7-9...23         |
| Trip Class              |                          | 10A                |
| Reset                   |                          | Automatic / Manual |
| Contact Configuration   |                          | 1 NO + 1 NC        |
| Test Function           |                          | Yes                |
| Visible Trip Indicator  |                          | Yes                |
| Motor FLC, Max          |                          | 0.4 A, max         |
| Motor FLC, Min          |                          | 0.25 A, min        |
| Rated Operation Voltage |                          | 690 V AC           |

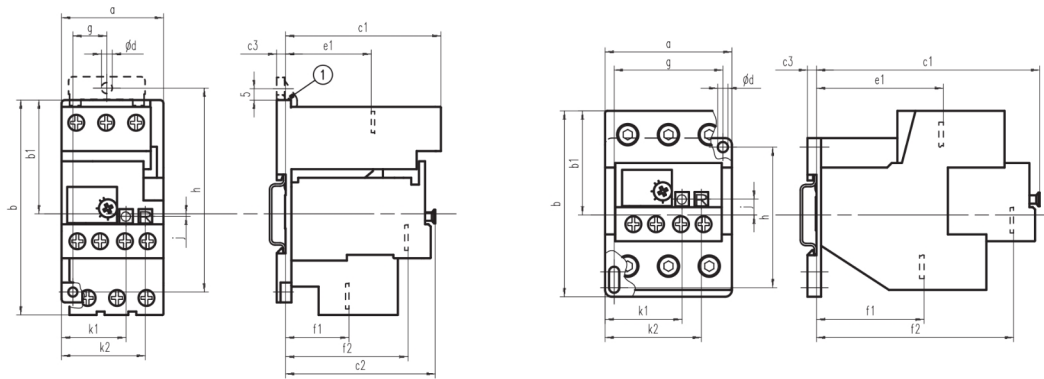
### REFERENCES

|   |   |
|---|---|
| IECEx Certificate                           | - |
| Supplier Declaration of Conformity:         | - |
| Installation Guide:                         | - |
| User Manual:                                | - |
| Manufacturer Datasheet:                     | - |
| Manufacturer Catalogue & Product Selection: | - |

# Catalogue No: CT7N-23-A40

## OVERLOAD THERMAL 0.25-0.4A FOR CA7-9/23

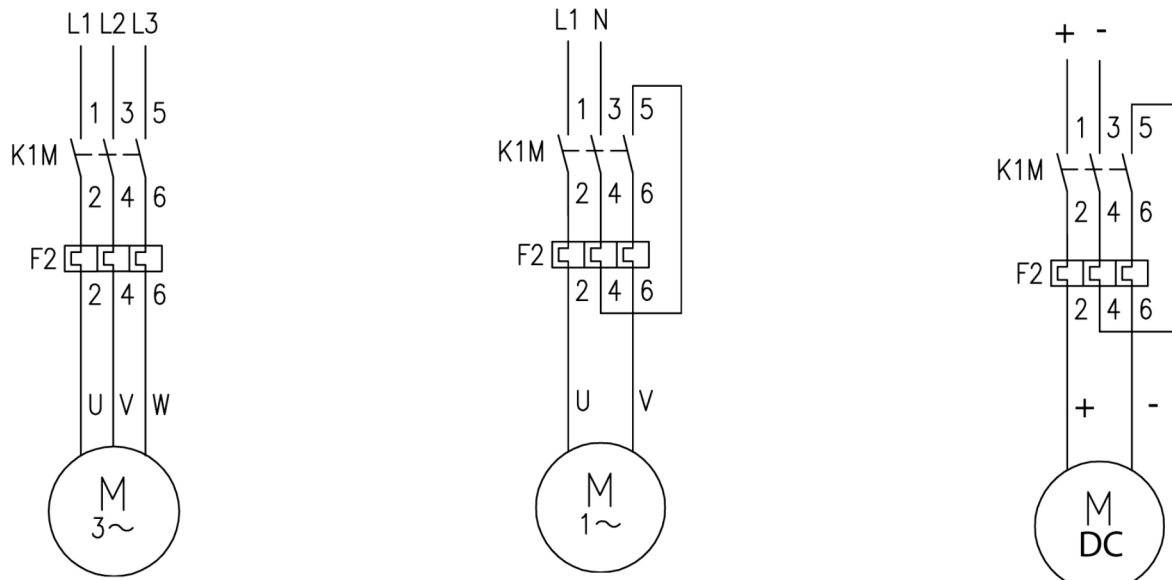
Motor Control and Drives > Motor Starting and Protection > Motor Protection > Sprecher + Schuh Overloads > Thermal (Bi-Metallic) Overloads > CT7N Thermal Overloads



| Overload +<br>DIN Rail/ Panel<br>Mounting Adapter                        | a  | b    | b1 | c1   | c2 | c3 | ød  | e1 | f1   | f2 | g  | h  | k1   | k2   |
|--|----|------|----|------|----|----|-----|----|------|----|----|----|------|------|
| CT7N-23-A16...C25 +<br>CT7N-37-P-A<br>CT7N-37-C20...C25 +<br>CT7N-37-P-A | 45 | 89.5 | 50 | 68.5 | 66 | 4  | 4.5 | 38 | 26   | 54 | 15 | 90 | 29   | 37.5 |
| CT7N-37-C30...C38 +<br>CT7N-37-P-A                                       | 45 | 91.5 | 50 | 68.5 | 66 | 4  | 4.5 | 38 | 28   | 54 | 15 | 90 | 29   | 37.5 |
| CT7N-85-C47P...C90P +  | 56 | 82   | 46 | 99.5 | ~  | 4  | 4.5 | 56 | 47.5 | 87 | ~  | 60 | 41.5 | 50   |

Dimension Diagram

### Connection Diagrams



Connection / Wiring Diagram