

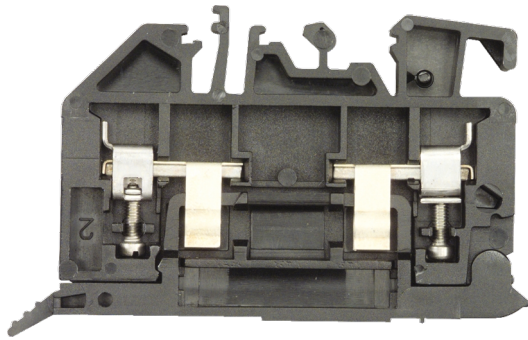
# Catalogue No: **V7-WFB4**

## SCREW TERMINAL FUSE 4mm 1 CONDUCTOR 15A

Termination and Wiring Systems > Terminals and Pre-Wired Cables > Terminals - Screw > Sprecher + Schuh Screw Type Terminals V7-W > Isolating Terminals > Fuse and plug disconnect terminal blocks 4 mm<sup>2</sup>



### Terminal Fuse 4-10M 5X20



- Designed for ease of wiring, secure connections and durability
- Comprehensive range, offering a wide array of terminal types for most circuits and functions
- Terminals accommodate a full range of wire sizes from 0.5 to 70mm<sup>2</sup> wire cross section
- Cone shaped guide allows easy wire insertion
- Specialty terminals including two-level, grounding, diode, isolating, fuse, sensor and thermocouple terminals
- International approvals, UL recognized, IEC and CSA certified.

Representative Photo Only  
(actual product may vary based on configuration selections)

#### SPECIFICATIONS

Product Series	V7
Component Type Termination Wiring	Terminal
Number of Levels	1
Package Quantity	50 qty
Colour, Body / Housing	Black colour
Wire / Conductor Size (Min)	0.05 mm <sup>2</sup> min
Wire / Conductor Size (Max)	4 mm <sup>2</sup>
Wire Strip Length	8 mm
Tightening Torque, Nominal	0.6 Nm
In, Rated Current	6.3 A
Un, Nominal Voltage	500 V
Fuse Supplied	No Y/N
Fuse Cartridge Size	5 x 20mm size
Height	50.7 mm
Width	8 mm
Depth	39.4 mm
Insulation Temperature (Min)	-40 °C
Insulation Temperature (Max)	90 °C
Standards Compliance	IEC 60947-1 IEC 60947-7-1 IEC 60947-7-2 CSA C22.2 No.158 UL 1059 UL 457 UL 486E
Certifications	CSA UR

Catalogue No: **V7-WFB4**

**SCREW TERMINAL FUSE 4mm 1 CONDUCTOR 15A**

Termination and Wiring Systems > Terminals and Pre-Wired Cables > Terminals - Screw > Sprecher + Schuh Screw Type Terminals V7-W > Isolating Terminals > Fuse and plug disconnect terminal blocks 4 mm<sup>2</sup>



#### REFERENCES

IECEX Certificate -

Supplier Declaration of Conformity: -

Installation Guide: -

User Manual: -

Manufacturer Datasheet: -

Manufacturer Catalogue & Product Selection: [V7WFB4\\_Manufacturer Catalogue](#)

