

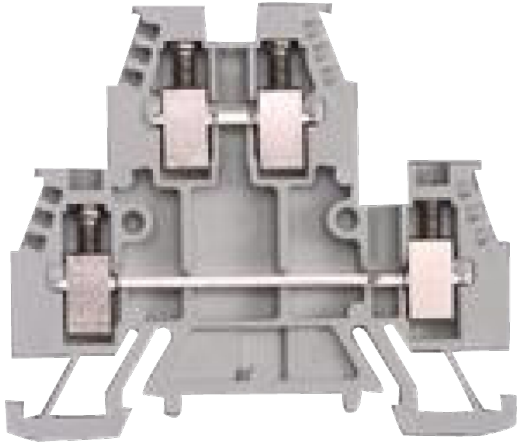
Catalogue No: **V7-WD4-B**

SCREW TERMINAL 4mm 2 CONDUCTOR 32A BLUE

Termination and Wiring Systems > Terminals and Pre-Wired Cables > Terminals - Screw > Sprecher + Schuh Screw Type Terminals V7-W > Double Deck Terminals > 4mm²



Terminal Through Double Deck 4mm² Blue



- Designed for ease of wiring, secure connections and durability
- Comprehensive range, offering a wide array of terminal types for most circuits and functions
- Terminals accommodate a full range of wire sizes from 0.5 to 70mm² wire cross section
- Cone shaped guide allows easy wire insertion
- Specialty terminals including two-level, grounding, diode, isolating, fuse, sensor and thermocouple terminals
- International approvals, UL recognized, IEC and CSA certified.

Representative Photo Only
(actual product may vary based on configuration selections)

SPECIFICATIONS

Product Series	V7
Component Type Termination Wiring	Terminal
Package Quantity	50 qty
Colour, Body / Housing	Blue colour
Wire / Conductor Size (Min)	0.5 mm ² min
Wire / Conductor Size (Max)	4 mm ²
Wire Strip Length	9 mm
Tightening Torque, Nominal	0.6 Nm
In, Rated Current	32 A
Un, Nominal Voltage	500 V
Height	64 mm
Width	6 mm
Depth	48.6 mm
Insulation Temperature (Min)	-40 °C
Insulation Temperature (Max)	90 °C

REFERENCES

IECEX Certificate	-
Supplier Declaration of Conformity:	-
Installation Guide:	-
User Manual:	-
Manufacturer Datasheet:	-
Manufacturer Catalogue & Product Selection:	V7WD4B_Manufacturer Catalogue