

Catalogue No: **V7-W6-B**

SCREW TERMINAL 6mm 1 CONDUCTOR 41A BLUE

Termination and Wiring Systems > Terminals and Pre-Wired Cables > Terminals - Screw > Sprecher + Schuh Screw Type Terminals V7-W > Through Terminals > 6mm²



Terminal Through 6mm² Blue

- Designed for ease of wiring, secure connections and durability
- Comprehensive range, offering a wide array of terminal types for most circuits and functions
- Terminals accommodate a full range of wire sizes from 0.5 to 70mm² wire cross section
- Cone shaped guide allows easy wire insertion
- Specialty terminals including two-level, grounding, diode, isolating, fuse, sensor and thermocouple terminals
- International approvals, UL recognized, IEC and CSA certified.

Representative Photo Only
(actual product may vary based on configuration selections)

SPECIFICATIONS

Product Series	V7
Component Type Termination Wiring	Terminal
Number of Levels	1
Package Quantity	50 qty
Colour, Body / Housing	Blue colour
Wire / Conductor Size (Min)	0.5 mm ² min
Wire / Conductor Size (Max)	6 mm ²
Wire Strip Length	12 mm
Tightening Torque, Nominal	0.7 Nm
In, Rated Current	41 A
Un, Nominal Voltage	800 V
Height	47.6 mm
Width	7 mm
Depth	41 mm
Insulation Temperature (Min)	-40 °C
Insulation Temperature (Max)	90 °C
Standards Compliance	IEC 60947-1 IEC 60947-7-1 IEC 60947-7-2 CSA C22.2 No.158 UL 1059 UL 457 UL 486E
Certifications	CSA UR

Catalogue No: **V7-W6-B**

SCREW TERMINAL 6mm 1 CONDUCTOR 41A BLUE

Termination and Wiring Systems > Terminals and Pre-Wired Cables > Terminals - Screw > Sprecher + Schuh Screw Type Terminals V7-W > Through Terminals > 6mm²



REFERENCES

IECEX Certificate -

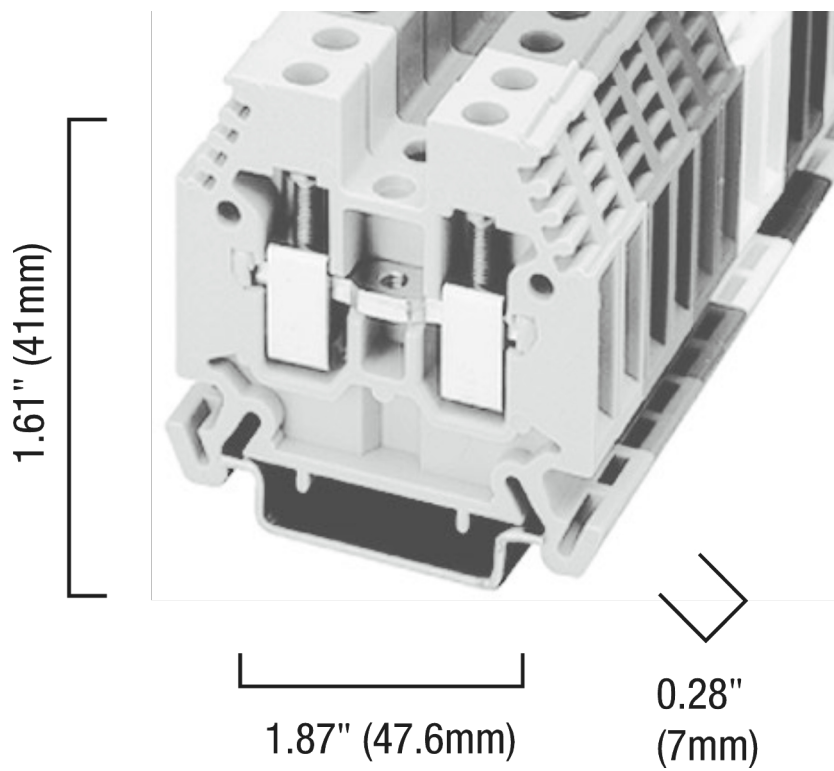
Supplier Declaration of Conformity: -

Installation Guide: -

User Manual: -

Manufacturer Datasheet: -

Manufacturer Catalogue & Product Selection: [V7W6B_Manufacturer Catalogue](#)



Dimension Diagram