

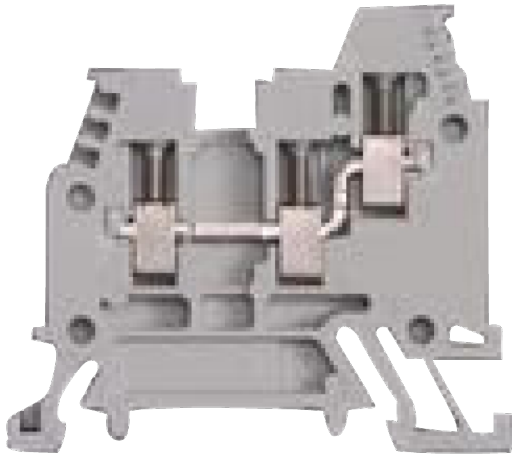
Catalogue No: **V7-W3TW**

SCREW TERMINAL DUO MULTI TIE 2.5mm 24A GREY

Termination and Wiring Systems > Terminals and Pre-Wired Cables > Terminals - Screw > Sprecher + Schuh Screw Type Terminals V7-W > Duo Multiple Tie Terminals



Terminal Duo Multi Tie 2.5mm² Grey



- Designed for ease of wiring, secure connections and durability
- Comprehensive range, offering a wide array of terminal types for most circuits and functions
- Terminals accommodate a full range of wire sizes from 0.5 to 70mm² wire cross section
- Cone shaped guide allows easy wire insertion
- Specialty terminals including two-level, grounding, diode, isolating, fuse, sensor and thermocouple terminals
- International approvals, UL recognized, IEC and CSA certified.

Representative Photo Only
(actual product may vary based on configuration selections)

SPECIFICATIONS

| | |
|-----------------------------------|---|
| Product Series | V7 |
| Component Type Termination Wiring | Terminal |
| Number of Levels | 1 |
| Package Quantity | 50 qty |
| Colour, Body / Housing | Grey colour |
| Wire / Conductor Size (Min) | 0.5 mm ² min |
| Wire / Conductor Size (Max) | 2.5 mm ² |
| Wire Strip Length | 9 mm |
| Tightening Torque, Nominal | 0.5 Nm |
| In, Rated Current | 24 A |
| Un, Nominal Voltage | 800 V |
| Height | 52.1 mm |
| Width | 5 mm |
| Depth | 41.6 mm |
| Insulation Temperature (Min) | -40 °C |
| Insulation Temperature (Max) | 90 °C |
| Standards Compliance | IEC 60947-1 IEC 60947-7-1 IEC 60947-7-2 CSA C22.2 No.158 UL 1059 UL 457 UL 486E |
| Certifications | CSA UR |

Catalogue No: **V7-W3TW**

SCREW TERMINAL DUO MULTI TIE 2.5mm 24A GREY

Termination and Wiring Systems > Terminals and Pre-Wired Cables > Terminals - Screw > Sprecher + Schuh Screw Type Terminals V7-W > Duo Multiple Tie Terminals



| REFERENCES | |
|---|---|
| IECEX Certificate | - |
| Supplier Declaration of Conformity: | - |
| Installation Guide: | - |
| User Manual: | - |
| Manufacturer Datasheet: | - |
| Manufacturer Catalogue & Product Selection: | V7W3TW_Manufacturer Catalogue |

