

Catalogue No: **RZ7-FSY 2C U23**

TIMER STAR DELTA 24-48VDC/24-240VAC SUPPLY 0.5-10S 2 NO

Timers and Control Relays > Timers, Time Switches and Counters > Time Delay Relays > Sprecher + Schuh Time Delay Relays > RZ7-FS High Performance Time Delay Relays > Star-Delta



TIMER STAR DELTA 24-48VDC/24-240VAC SUPPLY 0.5-10S 2 N/O

- Available with many different output functions applicable to all types of industrial control.
- Rugged construction and high level of timing accuracy established through rigorous design and testing.
- Various timing ranges from 0.05 seconds to 60 hours allowing fine control of switching requirements.

Representative Photo Only
(actual product may vary based on configuration selections)

SPECIFICATIONS

Product Series	RZ7-FS
Timing Function	Star-Delta
Time Range(s)	500ms ... 10s
Reset On Power Supply	50 ms
Input Frequency, Auxiliary, Nom	50 / 60 Hz
Electrical Life >	200000 cycles
Umin, Supply Voltage, DC, Min	24 V DC
Umax, Supply Voltage, DC, Max	48 V DC
Umin, Supply Voltage, AC, Min	24 V AC
Umax, Supply Voltage, AC, Max	240 V AC
Aux power consumption, AC, max	5 VA
Aux power consumption, DC, max	0.5 W
Contact Ratings DC 13 at 24 V DC	1 A
Contact Ratings AC 15 at 250 V AC	3
Contact Configuration	2 NO
Terminal Type	Screw Terminal(s)
Indicator Type	LED
Mounting	DIN-35 Rail Mount
Length, Cable, max	250 m, max
Tightening Torque, Max	1.2 Nm
Tightening Torque, Nominal	0.8 Nm
Time Setting Accuracy	5 %
Fuse Characteristic Type(s)	gL
Fuse Current Rating	10 A
Storage Temperature, Min	-40 °C min
Storage Temperature, Max	85 °C max
Operating Temperature, Min	-25 °C min
Operating Temperature, Max	45 °C max

Catalogue No: **RZ7-FSY 2C U23**

TIMER STAR DELTA 24-48VDC/24-240VAC SUPPLY 0.5-10S 2 NO

Timers and Control Relays > Timers, Time Switches and Counters > Time Delay Relays > Sprecher + Schuh Time Delay Relays > RZ7-FS High Performance Time Delay Relays > Star-Delta



Relative Humidity, Max	95 %RH
IP rating, body / housing	IP30
IP Rating, Terminals	IP20
Mechanical Service Life	30000000 cycles
Height	78.8 mm
Width	22.5 mm
Depth	109 mm
Weight	0.1 kg
Shock Acceleration (Max.)	50 g
Vibration Acceleration (Max.)	4 m/s ²
Vibration Frequency, Operational (Max.)	100 Hz
Standards Compliance	EN 60947-1 EN 60947-5-1 EN 50081-1 IEC 60947 UL 508 CSA C22.2 No. 14 EN 55022
Certifications	CE C-UL UL
Shipping Approvals	DNV-GL (Det Norske Veritas Germanischer Lloyd)

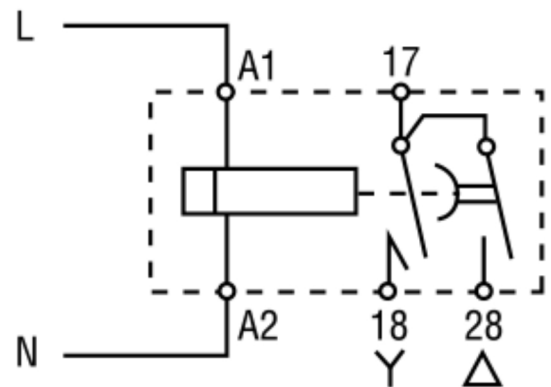
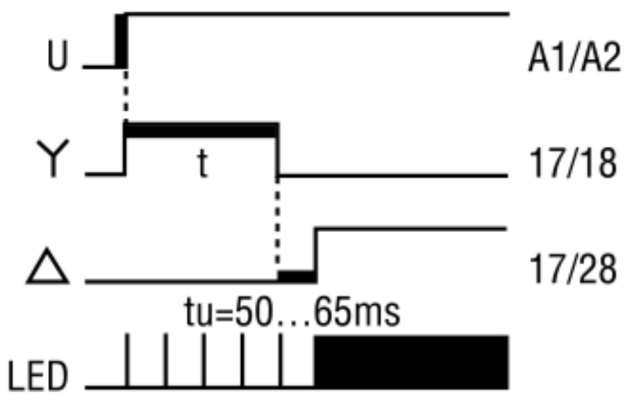
REFERENCES

IECEX Certificate	-
Supplier Declaration of Conformity:	-
Installation Guide:	-
User Manual:	-
Manufacturer Datasheet:	RZ7FSY2CU23_Manufacturer Datasheet
Manufacturer Catalogue & Product Selection:	-

Catalogue No: **RZ7-FSY 2C U23**

TIMER STAR DELTA 24-48VDC/24-240VAC SUPPLY 0.5-10S 2 NO

Timers and Control Relays > Timers, Time Switches and Counters > Time Delay Relays > Sprecher + Schuh Time Delay Relays > RZ7-FS High Performance Time Delay Relays > Star-Delta



Technical Diagram