

Catalogue No: **PPB-02-C-M48**

MON RLY 3PH O/U VOLT + PS/PL/ASYM 380-480VAC SUPPLY 1 C/O

Timers and Control Relays > Monitoring Relays > Voltage, Current, Phase and Power Factor Monitoring Relays > Carlo Gavazzi Voltage / Current / Phase and Power Monitoring > Phase Sequence, Loss and Asymmetry Monitoring Relays > Three-Phase



Representative Photo Only
(actual product may vary based on configuration selections)

Phase monitoring relays, 3-phase, sequence, phase loss and asymmetry, 323 - 475V AC

- Comprehensive range of relays for monitoring of phase loss, incorrect phase sequence, phase unbalance, over / under current, over / under load, over / under frequency, and over / under voltage for various application requirements
- Range available in a variety of package sizes and mounting (DIN or Plug-in) to suit various preferences
- International certifications including ISO 9001 with wide install base ensuring delivery of a quality tested product

SPECIFICATIONS

Product Series	PPB
Component Type Timers and Control relays	Monitoring Relay
Signal Type(s)	AC: 3-Phase
Measurement Range(s)	323 ... 475V AC
Umin, Supply Voltage, AC, Min	380 V AC
Umax, Supply Voltage, AC, Max	415 V AC
Ie, Rated Operational Current, AC-1, 250V	8 A@250V
Ie, Rated Operational Current, AC-15, 250V	2.5 A@250V
Ie, Rated Operational Current, DC-12, 24V	5 A@24V
Ie, Rated Operational Current, DC-13, 24V	2.5 A@24V
Ui, Rated Insulation Voltage	250 V (rms)
Rated Frequency	50 / 60 Hz
Overvoltage Category	III
Configuration Method	DIP-Switch
Contact Configuration	1 CO
Details, Output(s)	8A SPDT relay
Supply Power, Rated, AC 50Hz	13 VA
Terminal Type	Screw Terminal(s)
Mounting	Plug-in
Material, Body / Housing	Noryl material
Material, Contacts	Silver Tin Oxide (AgSnO ₂) material
IP Rating	IP20
Indicator Type	LED
Details, Indicator	Power supply ON LED, green. Alarm ON LED, red (flashing 2 Hz during delay time). Output relay ON LED, yellow.
Electrical Service Life at Un, In	100000 cycles
Mechanical Service Life	30000000 cycles

Catalogue No: **PPB-02-C-M48**

MON RLY 3PH O/U VOLT + PS/PL/ASYM 380-480VAC SUPPLY 1 C/O

Timers and Control Relays > Monitoring Relays > Voltage, Current, Phase and Power Factor Monitoring Relays > Carlo Gavazzi Voltage / Current / Phase and Power Monitoring > Phase Sequence, Loss and Asymmetry Monitoring Relays > Three-Phase



Tightening Torque, Max	0.5 Nm
Dielectric Strength	2 kVAC (rms) V AC
Pollution Degree	2
Storage Temperature, Min	-30 °C min
Storage Temperature, Max	80 °C max
Operating Temperature, Min	-20 °C min
Operating Temperature, Max	60 °C max
Height	80 mm
Width	36 mm
Depth	94 mm
Weight	0.12 kg
Standards Compliance	EN 60947-5-1 EN 61000-6-2 EN 61000-6-3 IEC 60664 IEC 60947
Certifications	CE UL CSA

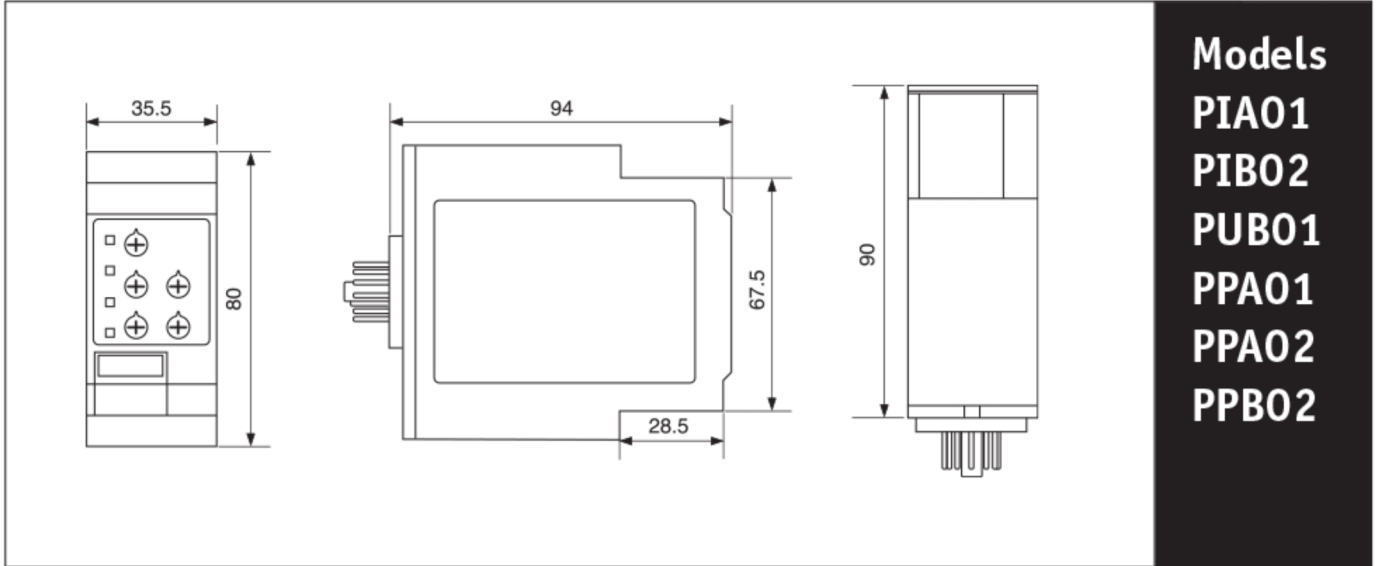
REFERENCES

IECEx Certificate	-
Supplier Declaration of Conformity:	-
Installation Guide:	PPB02CM48_Installation Instructions
User Manual:	-
Manufacturer Datasheet:	PPB02CM48_Manufacturer Datasheet
Manufacturer Catalogue & Product Selection:	-

Catalogue No: **PPB-02-C-M48**

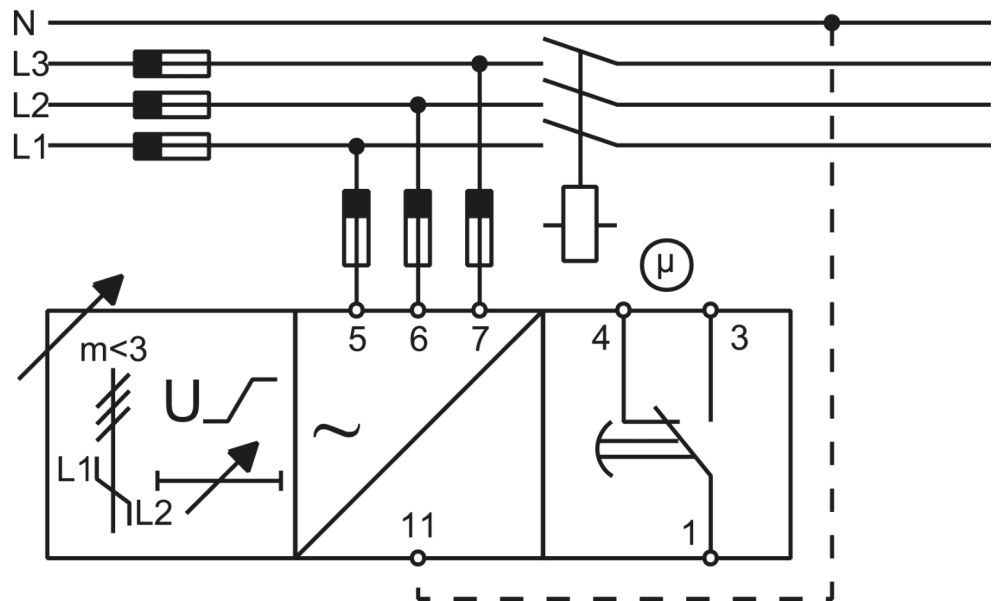
MON RLY 3PH O/U VOLT + PS/PL/ASYM 380-480VAC SUPPLY 1 C/O

Timers and Control Relays > Monitoring Relays > Voltage, Current, Phase and Power Factor Monitoring Relays > Carlo Gavazzi Voltage / Current / Phase and Power Monitoring > Phase Sequence, Loss and Asymmetry Monitoring Relays > Three-Phase



Dimension Diagram

PPB02

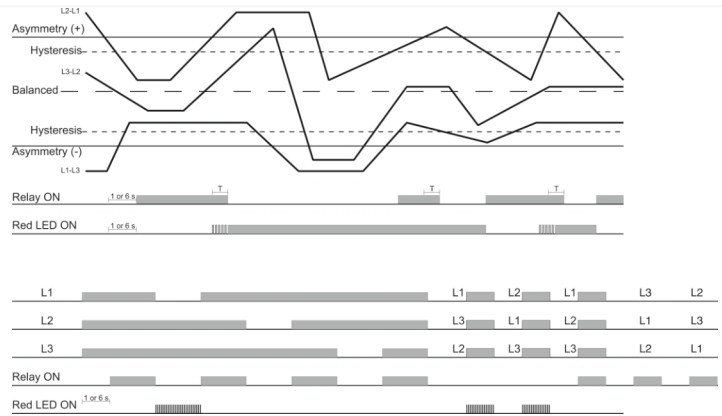


Connection / Wiring Diagram

Catalogue No: **PPB-02-C-M48**

MON RLY 3PH O/U VOLT + PS/PL/ASYM 380-480VAC SUPPLY 1 C/O

Timers and Control Relays > Monitoring Relays > Voltage, Current, Phase and Power Factor Monitoring Relays > Carlo Gavazzi Voltage / Current / Phase and Power Monitoring > Phase Sequence, Loss and Asymmetry Monitoring Relays > Three-Phase



Technical Diagram