

Catalogue No: **NTFP 125**

FUSE 125A 415V AC gG SIZE HYBRID A4 94mm CENTRES

Power Distribution and Protection > Fuse Isolators and Fuse Gear > Fuses and Fuse Holders > NHP Fuses and Fuse Holders > BS Fuse Links > Bolted Type Offset Tag



Representative Photo Only
(actual product may vary based on configuration selections)

Fuse 125A 415V AC gG Size Hybrid A4 94mm Centres

- Complies to BS Standard.
- 80 kA fault interruption capacity.
- Type gG and gM general, cable and motor protection.
- 2 to 200A range.
- 415/500V AC rated.

SPECIFICATIONS

Product Series	NTFP
Component Type Fuse-gear	Fuse Link
Fuse Current Rating	125 A
Fuse Characteristic Type(s)	gG
Fuse Cartridge Size	A4 size
Un, Nominal Operational Voltage, AC	415 V AC
Ue, Rated Operational Voltage, AC, max	415 V AC
Current, Breaking Capacity at Un	80 kA @Un
Height	110 mm
Width	39.5 mm
Depth	39.5 mm
Standards Compliance	AS 60269-1:2005 BS 88 DIN 43620 IEC 60269-1 IEC 60269-2 VDE 0636-10
Certifications	ASTA



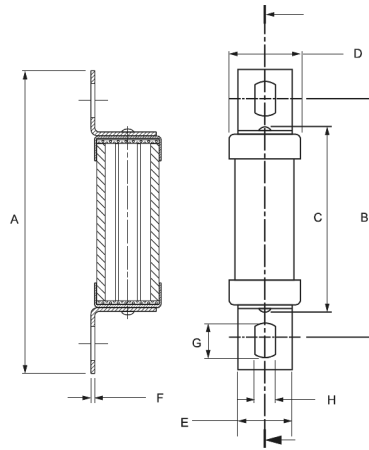
Catalogue No: **NTFP 125**

FUSE 125A 415V AC gG SIZE HYBRID A4 94mm CENTRES

Power Distribution and Protection > Fuse Isolators and Fuse Gear > Fuses and Fuse Holders > NHP Fuses and Fuse Holders > BS Fuse Links > Bolted Type Offset Tag



REFERENCES	
IECEX Certificate	-
Supplier Declaration of Conformity:	-
Installation Guide:	-
User Manual:	-
Manufacturer Datasheet:	-
Manufacturer Catalogue & Product Selection:	-



Series	Category	Brand	A Overall Length	B Fitting Centres	C Body Length	D Body Diameter	E Tag Width	F Tag Thickness	G Hole Length	H Hole Width
NTCP 20 – 40	A4	FuseMaster	110	94	51	22	20	2.4	11	8.7
NTCP 50 – 100	A4	FuseMaster	110	94	64.5	31.8	17	2.4	10	8.7
NTCP 125 – 160	A4	Mersen	110	94	64.5	26.9	17	2.4	10	8.7
NTCP 100M	A4	Lawson	110	94	51	35	20	2.4	11	8.7
NTFP 125 – 200	as A4	FuseMaster	110	94	73.5	39.5	19	2.4	11	8.7
NTFP 200M	as A4	Lawson	110	94	51	41	20	2.4	11	8.7

Dimension Diagram