



Representative Photo Only  
(actual product may vary based on configuration selections)

Xenon Beacon (Strobe) 10-100V DC or 20-72V AC - Red Lens

- Complete visual signalling range from high efficiency static or flashing LED's to high discharge Xenon beacons to rotating parabolic reflector beacons, we have the solution suitable for your application.
- Available in a variety of frame sizes and with accessories such as protective cages and brackets to cater to your mounting requirements.
- Multiple colour varieties available including Red, Green, Amber and Blue to convey whichever message is required.

**SPECIFICATIONS**

Product Series	X125
Indication Mode(s)	Sight
Lamp Type	Xenon type
Colour, Lamp	Red colour
Illumination Mode	Flashing
Energy, Flash	2 J
Ue, Rated Operational Voltage, AC, min	20 V AC
Ue, Rated Operational Voltage, AC, max	72 V AC
Ue, Rated Operational Voltage, DC, min	10 V DC
Ue, Rated Operational Voltage, DC, max	100 V DC
Input Frequency, Nom	50 / 60 Hz
Ie, Rated Operational Current, nom	0.13 A,nom
Ie, Rated Operational Current, nom	0.13 A,nom
Details, Current	130mA at 24V DC
Material, Base	ABS
Connection / Termination	Fixed (non-removable) Terminal Block
Number of Terminals	2 qty
Mounting, Terminal Block	Internal Mount
IP Rating	IP65
Mounting (Multiple)	Surface Mount Conduit Mount Wall Mount
Weight	0.17 kg
Operating Temperature, Min	-25 °C min
Operating Temperature, Max	55 °C max
Certifications	CE RoHS

# Catalogue No: **MOX125ACDCR**

## BEACON XENON STROBE 2J 10-100V DC/20-72V AC RED

Signalling Devices > Sight Indication > Beacons > Moflash Beacons > Xenon Beacons > MOX125 Series - Xenon Beacons



### REFERENCES

IECEX Certificate -

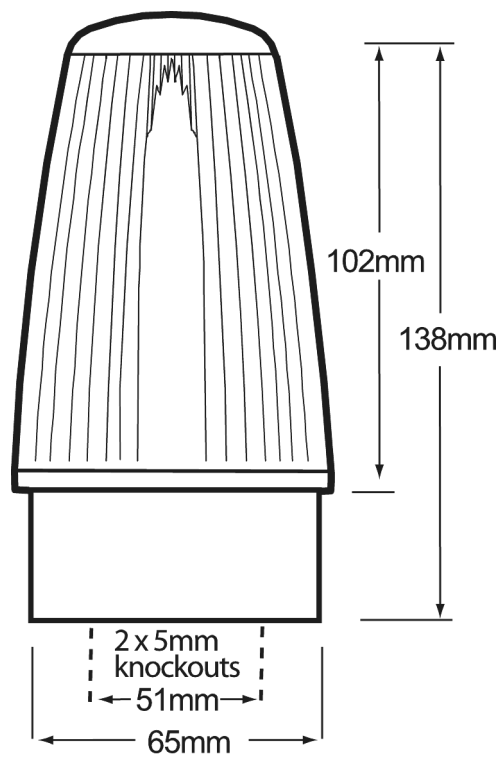
Supplier Declaration of Conformity: -

Installation Guide: [MOX125ACDCR\\_Installation Instructions](#)

User Manual: -

Manufacturer Datasheet: [MOX125ACDCR\\_Manufacturer Datasheet](#)

Manufacturer Catalogue & Product Selection: -



Dimension Diagram