



Xenon Beacon (Strobe) 10-100V DC or 20-72V AC - Blue Lens

- Complete visual signalling range from high efficiency static or flashing LED's to high discharge Xenon beacons to rotating parabolic reflector beacons, we have the solution suitable for your application.
- Available in a variety of frame sizes and with accessories such as protective cages and brackets to cater to your mounting requirements.
- Multiple colour varieties available including Red, Green, Amber and Blue to convey whichever message is required.

Representative Photo Only  
(actual product may vary based on configuration selections)

SPECIFICATIONS	
Product Series	X125
Indication Mode(s)	Sight
Lamp Type	Xenon type
Colour, Lamp	Blue colour
Illumination Mode	Flashing
Energy, Flash	2 J
Ue, Rated Operational Voltage, AC, min	20 V AC
Ue, Rated Operational Voltage, AC, max	72 V AC
Ue, Rated Operational Voltage, DC, min	10 V DC
Ue, Rated Operational Voltage, DC, max	100 V DC
Input Frequency, Nom	50 / 60 Hz
Ie, Rated Operational Current, nom	0.13 A,nom
Ie, Rated Operational Current, nom	0.13 A,nom
Details, Current	130mA at 24V DC
Material, Base	ABS
Connection / Termination	Fixed (non-removable) Terminal Block
Number of Terminals	2 qty
Mounting, Terminal Block	Internal Mount
IP Rating	IP65
Mounting (Multiple)	Surface Mount Conduit Mount Wall Mount
Weight	0.17 kg
Operating Temperature, Min	-25 °C min
Operating Temperature, Max	55 °C max
Certifications	CE RoHS

# Catalogue No: **MOX125ACDCB**

## BEACON XENON STROBE 2J 10-100V DC/20-72V AC BLUE

Signalling Devices > Sight Indication > Beacons > Moflash Beacons > Xenon Beacons > MOX125 Series - Xenon Beacons



### REFERENCES

IECEX Certificate -

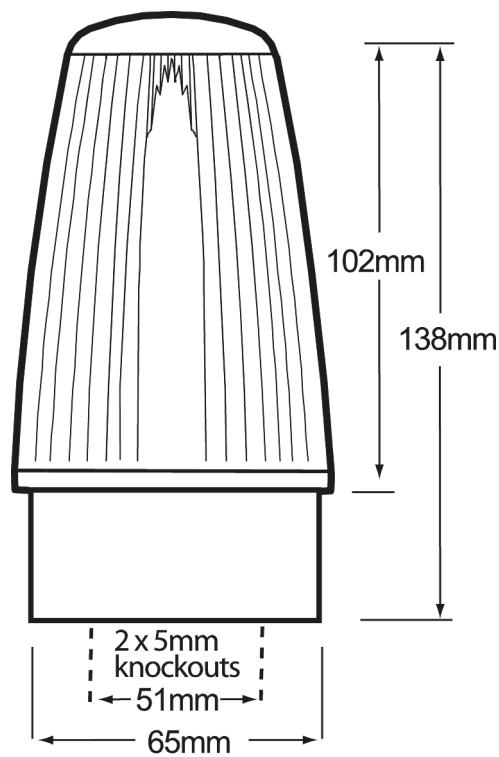
Supplier Declaration of Conformity: -

Installation Guide: [MOX125ACDCB\\_Installation Instructions](#)

User Manual: -

Manufacturer Datasheet: [MOX125ACDCB\\_Manufacturer Datasheet](#)

Manufacturer Catalogue & Product Selection: -



Dimension Diagram