

Catalogue No: MOR401-14G

BEACON ROTATING H1-70W IP65 24V DC GREEN

Signalling Devices > Sight Indication > Beacons > Moflash Beacons > Halogen Beacon > MOR401 Series - Rotating Halogen Beacons



Representative Photo Only
(actual product may vary based on configuration selections)

Rotating 70W Filament Beacon 24V DC - Green Lens

- Complete visual signalling range from high efficiency static or flashing LED's to high discharge Xenon beacons to rotating parabolic reflector beacons, we have the solution suitable for your application.
- Available in a variety of frame sizes and with accessories such as protective cages and brackets to cater to your mounting requirements.
- Multiple colour varieties available including Red, Green, Amber and Blue to convey whichever message is required.

SPECIFICATIONS

Product Series	R400 / 401
Indication Mode(s)	Sight
Lamp Type	Halogen Incandescent type
Illumination Mode	Rotating
Speed, Rotation	160 RPM
Lamp Power, Max	70 W max
Colour, Lens	Green colour
Material, Lens	PC (Polycarbonate) - UV Stabilised
Un, Nominal Operational Voltage, DC	24 V DC
Ie, Rated Operational Current, nom	3 A,nom
Ie, Rated Operational Current, nom	3 A,nom
Material, Base	ABS (Acrylonitrile Butadiene Styrene) - UV Stabilised
Colour, Base	Black base
Connection / Termination	Fixed (non-removable) Terminal Block
Number of Terminals	2 qty
Wire / Conductor Size (Max)	2.5 mm ²
Mounting, Terminal Block	Internal Mount
IP Rating	IP65
Mounting (Multiple)	Surface Mount Wall Mount
Height	205 mm
Diameter, External	150 mm
Weight	0.98 kg
Operating Temperature, Min	-10 °C min
Operating Temperature, Max	55 °C max
Certifications	CE C-Tick RoHS

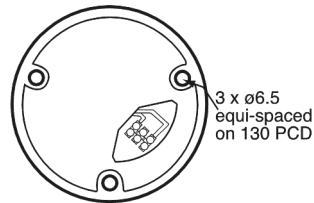
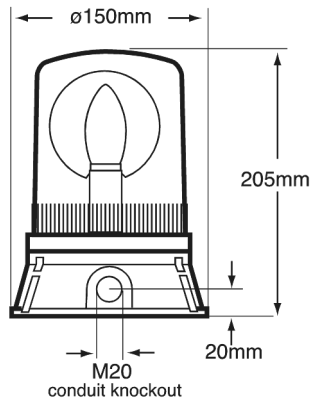
Catalogue No: MOR401-14G

BEACON ROTATING H1-70W IP65 24V DC GREEN

Signalling Devices > Sight Indication > Beacons > Moflash Beacons > Halogen Beacon > MOR401 Series - Rotating Halogen Beacons



REFERENCES	
IECEX Certificate	-
Supplier Declaration of Conformity:	-
Installation Guide:	MOR401-14G_Installation Instructions
User Manual:	-
Manufacturer Datasheet:	MOR401-14G_Manufacturer Datasheet
Manufacturer Catalogue & Product Selection:	MOR401-14G_Manufacturer Catalogue

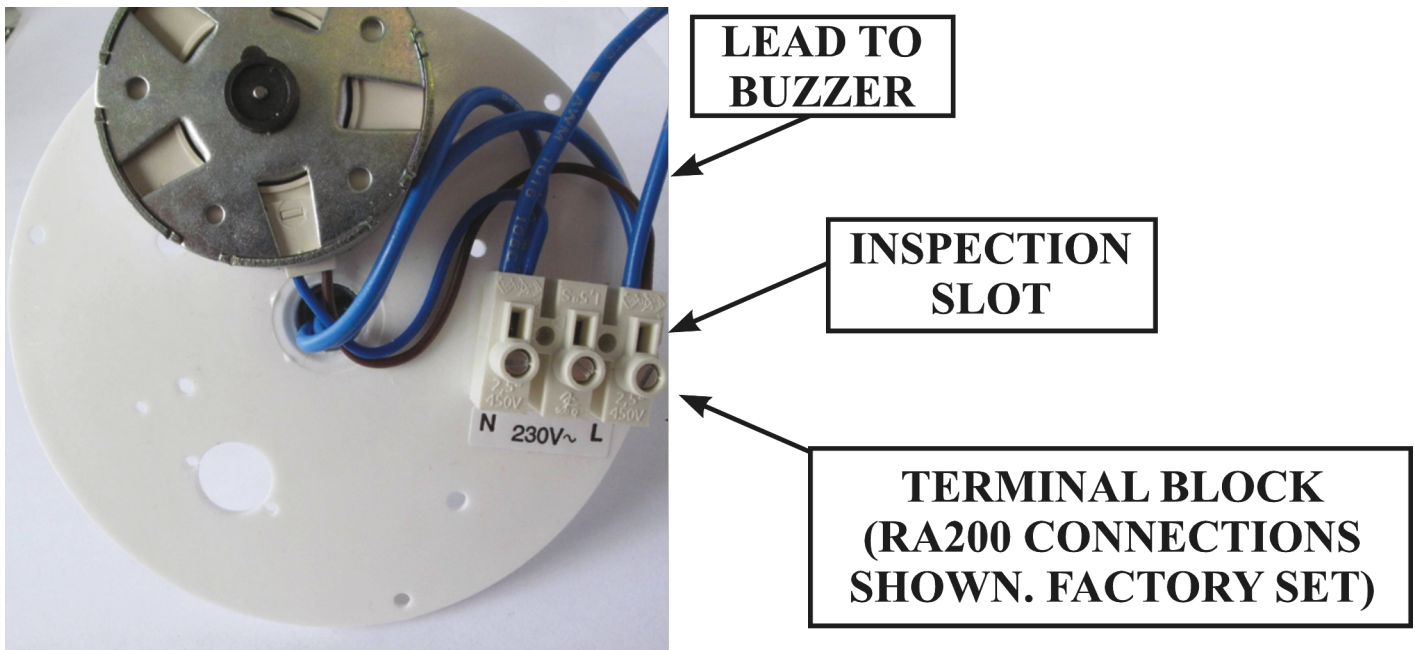


Dimension Diagram

Catalogue No: **MOR401-14G**

BEACON ROTATING H1-70W IP65 24V DC GREEN

Signalling Devices > Sight Indication > Beacons > Moflash Beacons > Halogen Beacon > MOR401 Series - Rotating Halogen Beacons



Connection / Wiring Diagram