

ROTATING BEACONS

MOR 400/401

A parabolic reflector driven by an electric motor revolves a continuously illuminated lamp which creates a beam of light that travels 360 degrees through it's own vertical axis. Beacon includes dome, base and lamp.



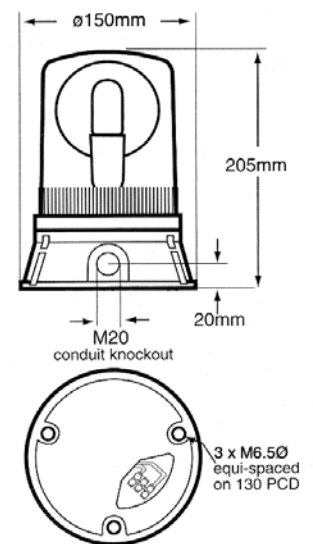
TECHNICAL SPECIFICATION

IP RATING:	IP 65
BEAM ROTATION:	120 rpm
CASING:	Polycarbonate dome / ABS base
OPERATING TEMP:	-10 °C to + 66 °C
WEIGHT	1.1 Kg

VOLTAGE	LIGHT SOURCE	CURRENT	ORDER CODES
12 V DC	Halogen 55 W	4.70 A	MOR401-13_1)
24 V DC	Halogen 70 W	3.00 A	MOR401-14_1)
110 V AC	Incandescent E14 60 W	0.55 A	MOR400-04_1)
240 V AC	Incandescent E14 60 W	0.29 A	MOR400-05_1)
Spare halogen 12 V DC 55 W lamp			1691255
Spare halogen 24 V DC 70 W lamp			1692470
Spare Incandescent 110 V AC lamp			4611540W
Spare Incandescent 240 V AC lamp			4625040W
Steel guard			MO50010
Spare Amber dome			MO50064
Spare Red dome			MO50065
Spare Blue dome			MO50066
Spare Green dome			MO50067
Wall mount bracket - right angle			MO50004
Single point mount bracket			MO50006

NOTES:

1) Add letter R, A, G or B at end of order code to denote dome colour.



PRODUCT TIP:

To increase life of beacon never invert when mounting or hang off wall horizontally. Always mount as shown in picture above.