

Catalogue No: **MOR400-05B**

BEACON ROTATING E14 60W 230V AC BLUE

Signalling Devices > Sight Indication > Beacons > Moflash Beacons > Filament Beacons > MOR400 Series - Rotating filament beacons



Rotating 60W Filament Beacon 230V AC - Blue Lens

- Complete visual signalling range from high efficiency static or flashing LED's to high discharge Xenon beacons to rotating parabolic reflector beacons, we have the solution suitable for your application.
- Available in a variety of frame sizes and with accessories such as protective cages and brackets to cater to your mounting requirements.
- Multiple colour varieties available including Red, Green, Amber and Blue to convey whichever message is required.

Representative Photo Only
(actual product may vary based on configuration selections)

SPECIFICATIONS

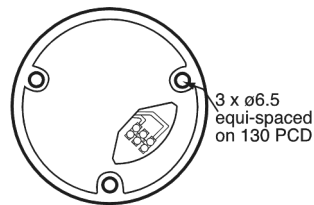
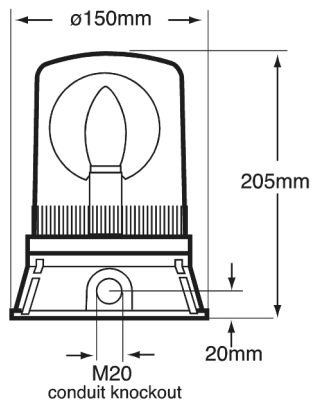
Product Series	R400 / 401
Indication Mode(s)	Sight
Lamp Type	Incandescent type
Illumination Mode	Rotating
Speed, Rotation	120 RPM
Lamp Power, Max	60 W max
Colour, Lens	Blue colour
Material, Lens	PC (Polycarbonate) - UV Stabilised
Un, Nominal Operational Voltage, AC	230 V AC
Input Frequency, Nom	50 Hz
Ie, Rated Operational Current, nom	0.29 A,nom
Ie, Rated Operational Current, nom	0.29 A,nom
Material, Base	ABS (Acrylonitrile Butadiene Styrene) - UV Stabilised
Colour, Base	Black base
Connection / Termination	Fixed (non-removable) Terminal Block
Number of Terminals	2 qty
Wire / Conductor Size (Max)	2.5 mm ²
Mounting, Terminal Block	Internal Mount
IP Rating	IP65
Mounting (Multiple)	Surface Mount Wall Mount
Height	205 mm
Diameter, External	150 mm
Weight	0.98 kg
Operating Temperature, Min	-10 °C min
Operating Temperature, Max	55 °C max
Certifications	CE C-Tick RoHS

Catalogue No: **MOR400-05B**
BEACON ROTATING E14 60W 230V AC BLUE

Signalling Devices > Sight Indication > Beacons > Moflash Beacons > Filament Beacons > MOR400 Series - Rotating filament beacons



REFERENCES	
IECEX Certificate	-
Supplier Declaration of Conformity:	-
Installation Guide:	MOR400-05B_Installation Instructions
User Manual:	-
Manufacturer Datasheet:	MOR400-05B_Manufacturer Datasheet
Manufacturer Catalogue & Product Selection:	MOR400-05B_Manufacturer Catalogue



Dimension Diagram