

Catalogue No: **MOD6MS3100**

MOD6 MAIN SWITCH 3P 100A

Power Distribution and Protection > Circuit Breakers > Miniature Circuit Breakers and Earth Leakage Protection (RCDs and RCBOs) > MOD6 Accessories > MOD6 Main Switches > MOD6 Main Switch



Representative Photo Only
(actual product may vary based on configuration selections)

MOD6 main switch, DIN rail, 3P, 100A

The complementary series of MOD6 accessories includes the MOD6 main switches and busbar combs specific for the compact double screw MOD6 RCBO (M6RCBD) series for quick and easy installation of the MOD6 RCBOs.

Please note: For the IBC and ICL pin and fork busbars, DTLD lock dog, DTPF pole fillers and DTTAX16PN3 3 way neutral link (suits RCCBs), which can also be used with the MOD6 MCBs and RCDs, please refer to the DIN-T accessories for further details.

No other DIN-T accessories are compatible with the MOD6 series of MCBs and RCDs including DIN-T auxiliaries, shunt trip, LOCKDIN, terminal covers and so on.

SPECIFICATIONS

Product Series	MOD6
Component Type Power Distribution & Protection	Main Switch
In, Rated Current	100 A
Poles	3P
Wire / Conductor Size (Min)	6 mm ² min
Wire / Conductor Size (Max)	50 mm ²
Width	54 mm
Ie, Rated Operational Current, nom	100 A,nom

REFERENCES

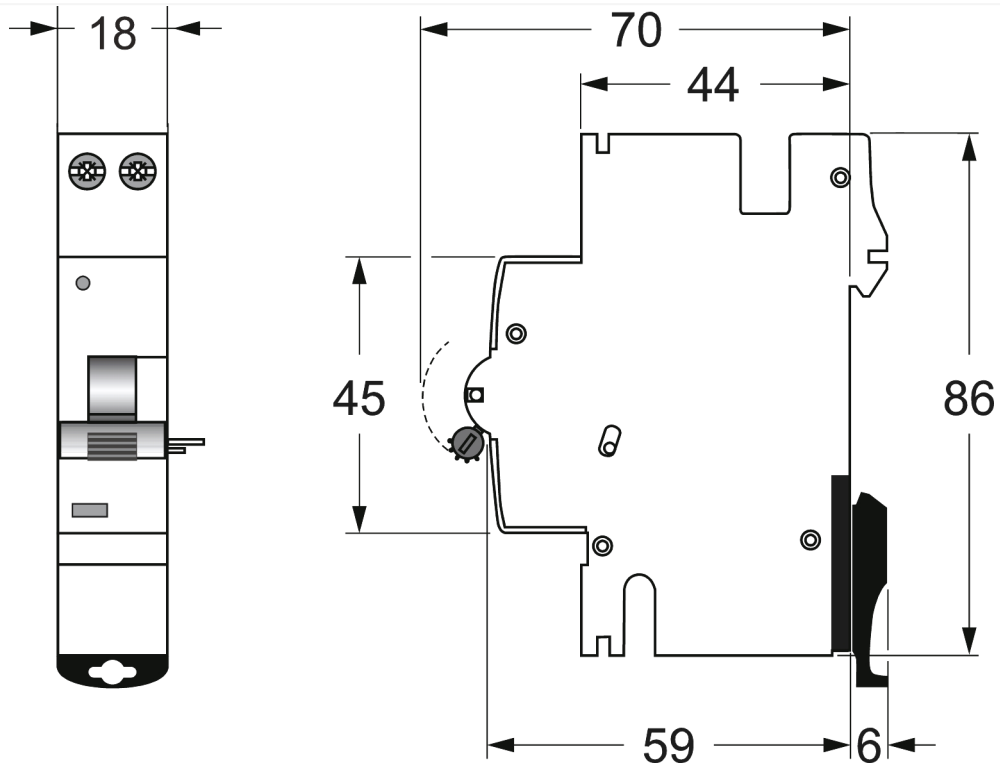
IECEX Certificate	-
Supplier Declaration of Conformity:	-
Installation Guide:	-
User Manual:	-
Manufacturer Datasheet:	-
Manufacturer Catalogue & Product Selection:	-



Catalogue No: **MOD6MS3100**

MOD6 MAIN SWITCH 3P 100A

Power Distribution and Protection > Circuit Breakers > Miniature Circuit Breakers and Earth Leakage Protection (RCDs and RCBOs) > MOD6 Accessories > MOD6 Main Switches > MOD6 Main Switch



Dimension Diagram