



Representative Photo Only  
(actual product may vary based on configuration selections)

**Xenon Beacon (Strobe) 12/24V DC - Amber Lens. 1.4 Joule Light Energy**

- Complete visual signalling range from high efficiency static or flashing LED's to high discharge Xenon beacons to rotating parabolic reflector beacons, we have the solution suitable for your application.
- Available in a variety of frame sizes and with accessories such as protective cages and brackets to cater to your mounting requirements.
- Multiple colour varieties available including Red, Green, Amber and Blue to convey whichever message is required.

**SPECIFICATIONS**

Indication Mode(s)	Sight
Lamp Type	Xenon type
Colour, Lamp	Amber colour
Illumination Mode	Flashing
Speed, Flash	60 per min
Lamp Power, Max	3 W max
Un, Nominal Operational Voltage(s), DC	12 V DC 24
Ie, Rated Operational Current, nom	0.14 A,nom
Ie, Rated Operational Current, nom	0.14 A,nom
Details, Current	85mA Rated at 24DC
Material, Body / Housing	PC (Polycarbonate) material
Connection / Termination	Screw Terminal(s)
IP Rating	IP65
Mounting (Multiple)	Ceiling Mount Wall Mount
Weight	0.14 kg
Operating Temperature, Min	-20 °C min
Operating Temperature, Max	40 °C max

Catalogue No: **KL3061A**

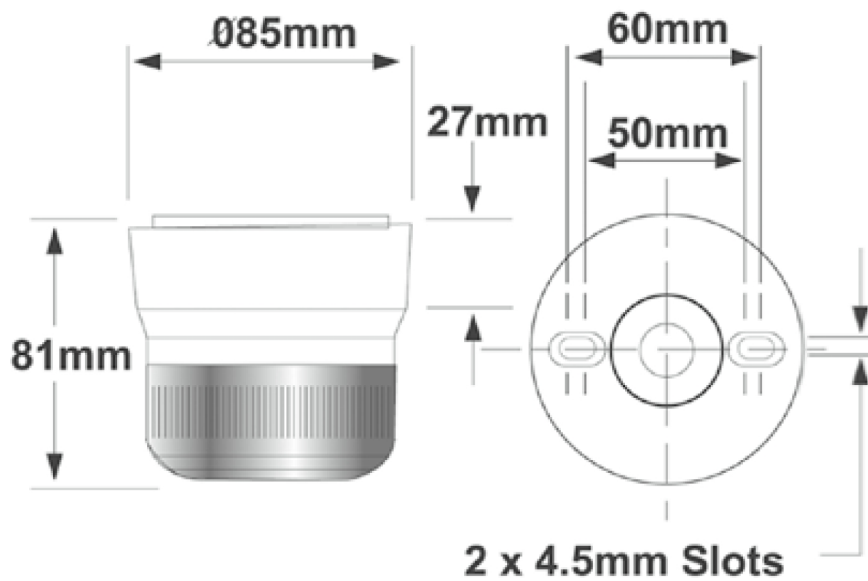
**BEACON XENON 12/24VDC STROBE 3 JOULE AMBER (2 PIECE)**

Signalling Devices > Sight Indication > Beacons > Moflash Beacons > Xenon Beacons > Flashguard Xenon Beacons



REFERENCES	
IECEX Certificate	-
Supplier Declaration of Conformity:	-
Installation Guide:	-
User Manual:	-
Manufacturer Datasheet:	<a href="#">KL3061A_ManufacturerDatasheet</a>
Manufacturer Catalogue & Product Selection:	-

## Standard and Fire Style



Dimension Diagram