



Representative Photo Only  
(actual product may vary based on configuration selections)

Current monitoring relay, overcurrent 5 -50A AC

- Comprehensive range of monitoring controls for monitoring of phase loss, incorrect phase sequence, phase unbalance, over / under current, over / under load, over / under frequency, and over / under voltage for any application requirement.
- Range available in a variety of package sizes and mounting (DIN or Plug-in) to suit any preference.
- International certifications including ISO 9001 with wide install base ensuring delivery of a quality tested product.

**SPECIFICATIONS**

Product Series	DIA
Component Type Timers and Control relays	Monitoring Relay
Signal Type(s)	AC: 1-Phase
Measurement Range(s)	5 ... 50A
Voltage Drop, Output(s)	2.5 V
Output Voltage, DC, Max	40 V DC max
Rated Frequency	50 Hz
Configuration Method	DIP-Switch
Operational Frequency, Min	45 Hz min
Operational Frequency, Max	400 Hz max
Details, Output(s)	NPN-PNP open collector
Digital Output Type	NO Relay type
I <sub>Δn</sub> , Leakage Current, Max	0.1 mA
Current, Overload Capacity, Continuous	0.15 kA
Current, Overload Capacity, 30s (rms)	0.2 kA
Output Current, Max (rms)	0.1 A max, rms
Terminal Type	Screw Terminal(s)
Mounting	DIN-35 Rail Mount
Material, Body / Housing	Noryl material
IP Rating	IP20
Indicator Type	LED
Tightening Torque, Max	0.5 Nm
Pollution Degree	3
Operating Temperature, Min	-20 °C min
Operating Temperature, Max	60 °C max
Height	81 mm
Width	17.5 mm
Depth	67.2 mm

# Catalogue No: **IMAX50**

## MON RLY 1PH O/ I 5-50A AC 2WIRE SELF POWER NPN/PNP NO OUT

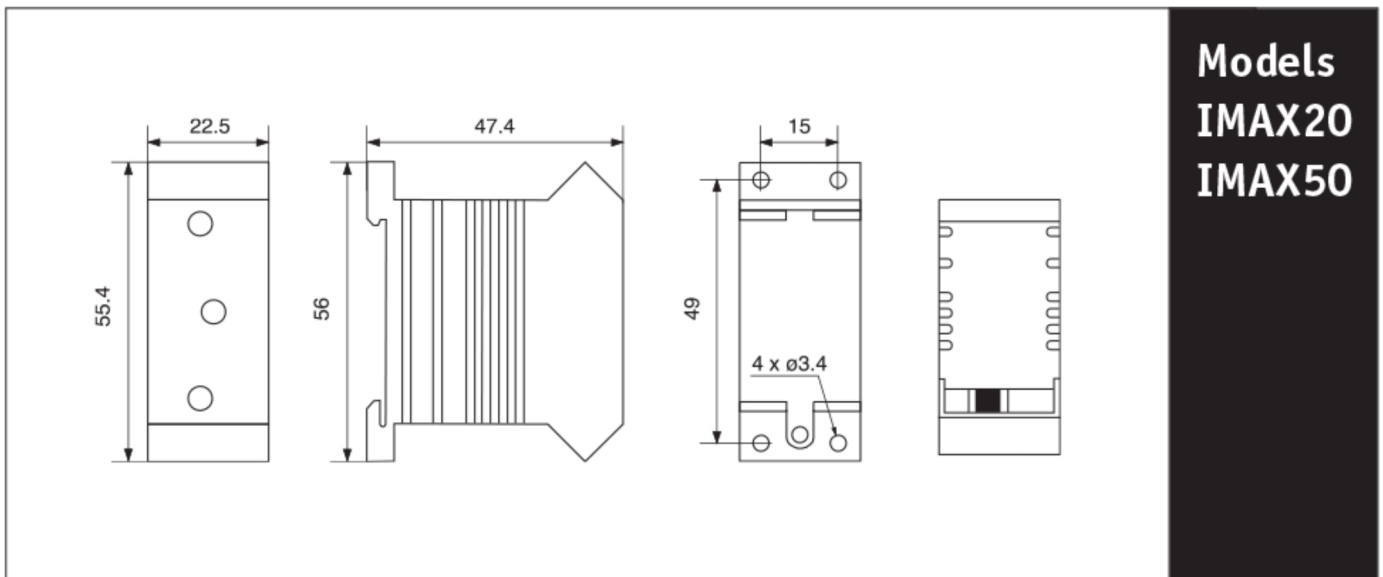
Timers and Control Relays > Monitoring Relays > Voltage, Current, Phase and Power Factor Monitoring Relays > Carlo Gavazzi Voltage / Current / Phase and Power Monitoring > Current Monitoring Relays > Self-Powered Through-hole



Weight	0.08 kg
Standards Compliance	EN 60255-1 EN 61000-6-2 EN 61000-6-3 EN 50022 DIN 43880
Certifications	CE CSA UL

### REFERENCES

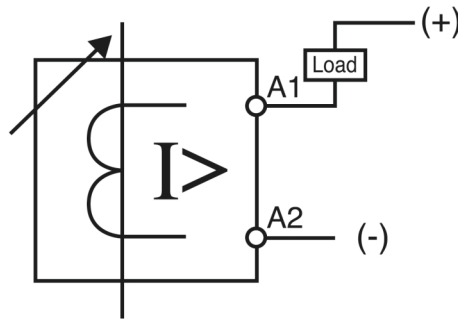
IECEX Certificate	-
Supplier Declaration of Conformity:	-
Installation Guide:	<a href="#">IMAX50_Installation Instructions</a>
User Manual:	-
Manufacturer Datasheet:	<a href="#">IMAX50_Manufacturer Datasheet</a>
Manufacturer Catalogue & Product Selection:	-



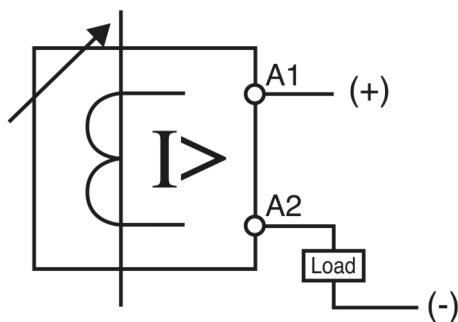
Dimension Diagram



**IMAX20**  
**IMAX50**  
 Example 1



**IMAX20**  
**IMAX50**  
 Example 2



Connection / Wiring Diagram

