



Representative Photo Only
(actual product may vary based on configuration selections)

Current monitoring relay, overcurrent 2 - 20A AC

- Comprehensive range of monitoring controls for monitoring of phase loss, incorrect phase sequence, phase unbalance, over / under current, over / under load, over / under frequency, and over / under voltage for any application requirement.
- Range available in a variety of package sizes and mounting (DIN or Plug-in) to suit any preference.
- International certifications including ISO 9001 with wide install base ensuring delivery of a quality tested product.

SPECIFICATIONS

Product Series	DIA
Component Type Timers and Control relays	Monitoring Relay
Signal Type(s)	AC: 1-Phase
Measurement Range(s)	2 ... 20A
Voltage Drop, Output(s)	2.5 V
Output Voltage, DC, Max	40 V DC max
Rated Frequency	50 Hz
Configuration Method	DIP-Switch
Operational Frequency, Min	45 Hz min
Operational Frequency, Max	400 Hz max
Details, Output(s)	NPN-PNP open collector
Digital Output Type	NO Relay type
IΔn, Leakage Current, Max	0.1 mA
Current, Overload Capacity, Continuous	0.04 kA
Current, Overload Capacity, 30s (rms)	0.2 kA
Output Current, Max (rms)	0.1 A max, rms
Terminal Type	Screw Terminal(s)
Mounting	DIN-35 Rail Mount
Material, Body / Housing	Noryl material
IP Rating	IP20
Indicator Type	LED
Tightening Torque, Max	0.5 Nm
Pollution Degree	3
Operating Temperature, Min	-20 °C min
Operating Temperature, Max	60 °C max
Height	81 mm
Width	17.5 mm
Depth	67.2 mm

Catalogue No: **IMAX20**

MON RLY 1PH O/ I 2-20A AC 2WIRE SELF POWER NPN/PNP NO OUT

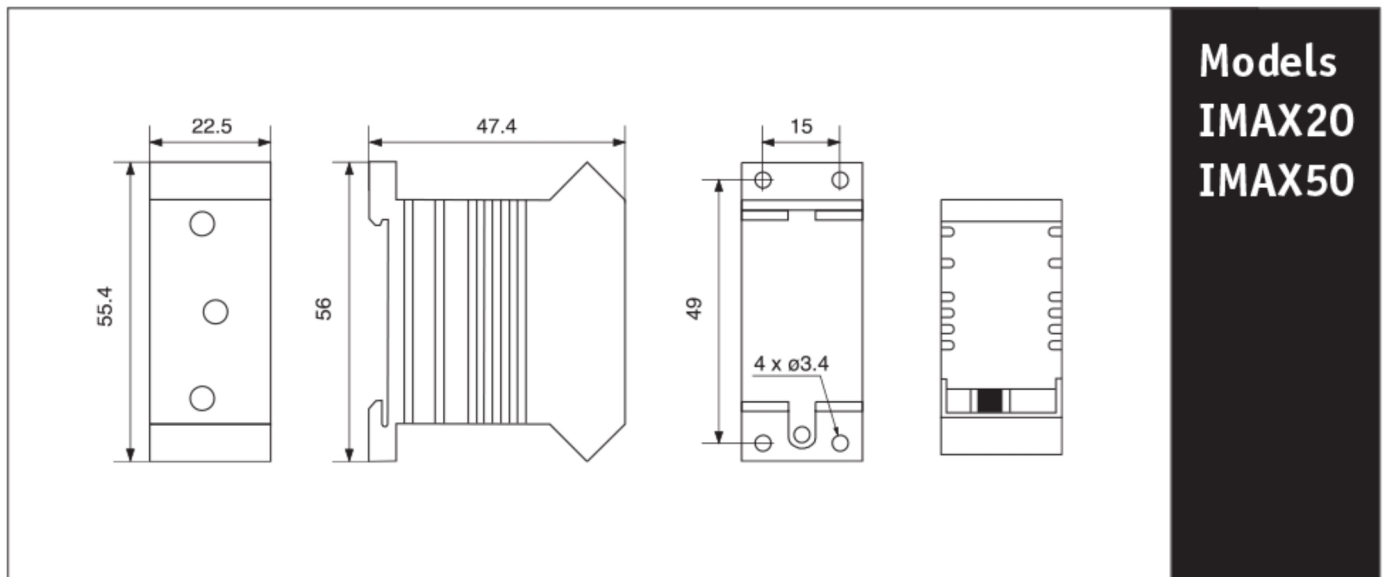
Timers and Control Relays > Monitoring Relays > Voltage, Current, Phase and Power Factor Monitoring Relays > Carlo Gavazzi Voltage / Current / Phase and Power Monitoring > Current Monitoring Relays > Self-Powered Through-hole



Weight	0.08 kg
Standards Compliance	EN 60255-1 EN 61000-6-2 EN 61000-6-3 EN 50022 DIN 43880
Certifications	CE CSA UL

REFERENCES

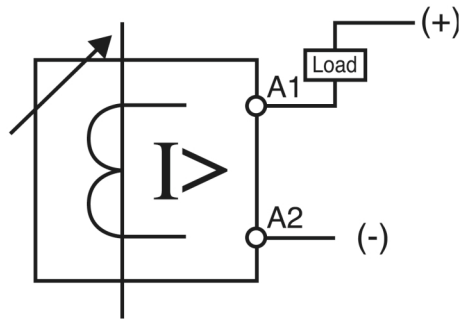
IECEx Certificate	-
Supplier Declaration of Conformity:	-
Installation Guide:	IMAX20_Installation Instructions
User Manual:	-
Manufacturer Datasheet:	IMAX20_Manufacturer Datasheet
Manufacturer Catalogue & Product Selection:	-



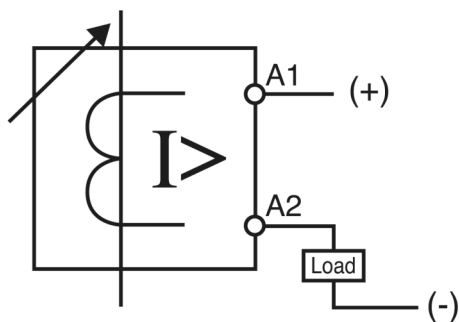
Dimension Diagram



IMAX20
IMAX50
Example 1



IMAX20
IMAX50
Example 2



Connection / Wiring Diagram

