

# Catalogue No: ILC8S

## LOADCENTRE 8 WAY DIN-T SURFACE

Power Distribution and Protection > Distribution Boards > Loadcentre Assemblies > DIN-T Range of Loadcentres > ILC Pole Covers > Surface Mounted Insulated Loadcentre



### ILC Insulated loadcentre 8 way

- Standard AS / NZS 3439-3
- Suit Din-T MCBs, DIN-SAFE RCDs and DIN-SAFE RCBOs
- IP40 rating
- Sealing option
- Option - Neutral and earth bars rated 100A
- RAL 7035 Grey impact resistant base (ABS)
- Transparent polycarbonate door

Representative Photo Only  
(actual product may vary based on configuration selections)

### SPECIFICATIONS

Product Series	ILC
Component Type Power Distribution & Protection	Loadcentre Enclosure
IP Rating	IP40
Number of Poles	8
MCB Type	DIN Profile
Material, Body / Housing	ABS material
Colour, Body / Housing	Light Grey (RAL 7035) colour
Colour, Door	Clear / Transparent door
Ue, rated operational voltage, AC, 3ph, nom	415 V AC
Ue, rated operational voltage, AC, 1ph, nom	240 V AC
In, Rated Current	100 A
Mounting	Surface Mount
Height	175 mm
Width	170 mm
Depth	120 mm
Standards Compliance	AS/NZS 3132

### REFERENCES

IECEX Certificate	-
Supplier Declaration of Conformity:	-
Installation Guide:	-
User Manual:	-
Manufacturer Datasheet:	-
Manufacturer Catalogue & Product Selection:	-

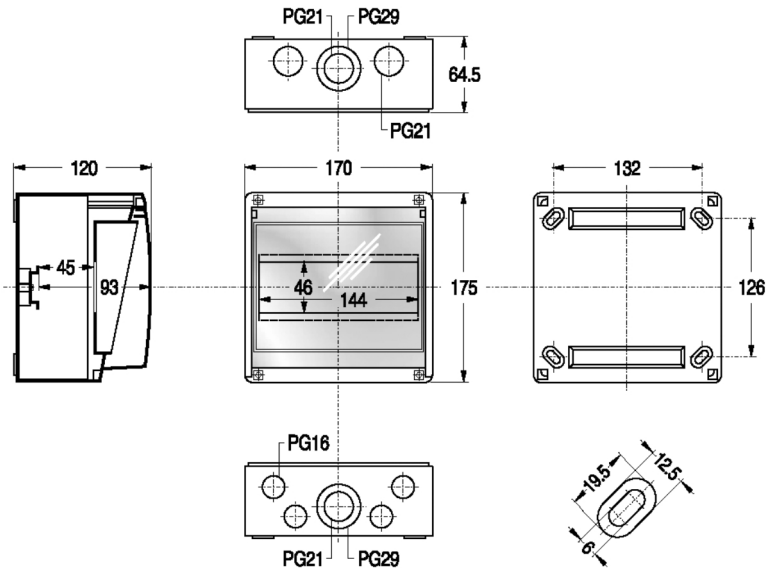


# DIN-T

# Catalogue No: **ILC8S**

## LOADCENTRE 8 WAY DIN-T SURFACE

Power Distribution and Protection > Distribution Boards > Loadcentre Assemblies > DIN-T Range of Loadcentres > ILC Pole Covers > Surface Mounted Insulated Loadcentre



Dimension Diagram