

Catalogue No: ILC4S

LOADCENTRE 4 WAY DIN-T SURFACE

Power Distribution and Protection > Distribution Boards > Loadcentre Assemblies > DIN-T Range of Loadcentres > ILC Pole Covers > Surface Mounted Insulated Loadcentre



Representative Photo Only
(actual product may vary based on configuration selections)

ILC Insulated loadcentre 4 way

- Standard AS / NZS 3439-3
- Suit Din-T MCBs, DIN-SAFE RCDs and DIN-SAFE RCBOs
- IP40 rating
- Sealing option
- Option - Neutral and earth bars rated 100A
- RAL 7035 Grey impact resistant base (ABS)
- Transparent polycarbonate door

SPECIFICATIONS

Product Series	ILC
Component Type Power Distribution & Protection	Loadcentre Enclosure
IP Rating	IP40
Number of Poles	4
MCB Type	DIN Profile
Material, Body / Housing	ABS material
Colour, Body / Housing	Light Grey (RAL 7035) colour
Material, door	PC (Polycarbonate)
Colour, Door	Clear / Transparent door
Ue, rated operational voltage, AC, 3ph, nom	415 V AC
Ue, rated operational voltage, AC, 1ph, nom	240 V AC
In, Rated Current	100 A
Mounting	Surface Mount
Height	175 mm
Width	90 mm
Depth	100 mm
Standards Compliance	AS/NZS 3132



DIN-T

Catalogue No: ILC4S

LOADCENTRE 4 WAY DIN-T SURFACE

Power Distribution and Protection > Distribution Boards > Loadcentre Assemblies > DIN-T Range of Loadcentres > ILC Pole Covers > Surface Mounted Insulated Loadcentre



REFERENCES

IECEX Certificate -

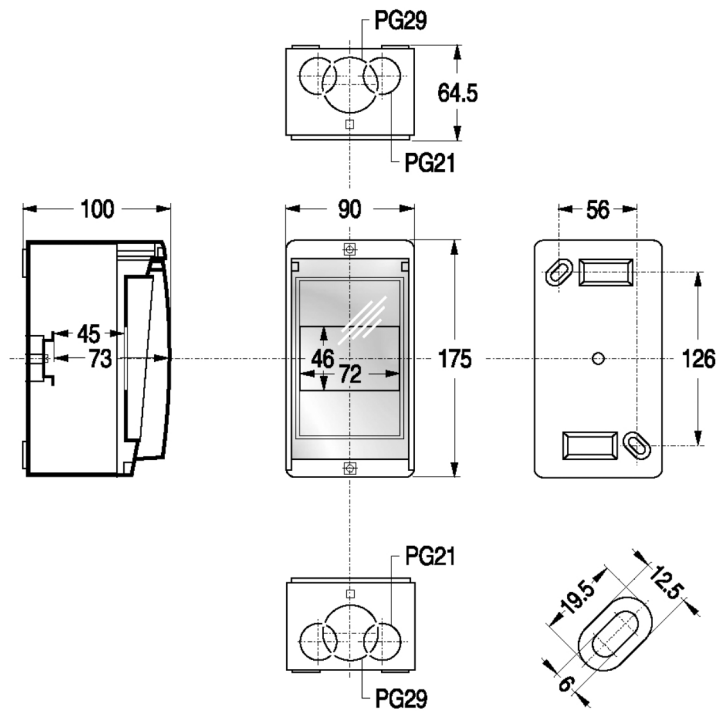
Supplier Declaration of Conformity: -

Installation Guide: -

User Manual: -

Manufacturer Datasheet: -

Manufacturer Catalogue & Product Selection: -



Dimension Diagram