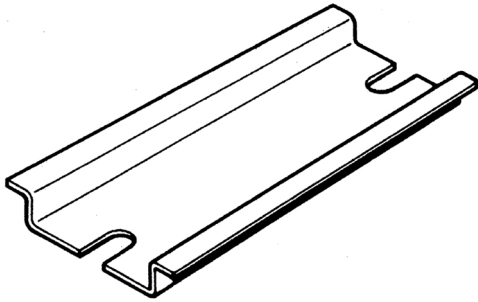




Din Rail 35X270mm Suit W300mm CAB PC/ABS



- Fully electrically insulated, corrosion proof and weighing up to 60% less than steel makes them a perfect alternative to stainless steel
- Easily customised and machined with easy to use accessories makes installation a dream
- UV protection according to UL 508 and IP66 rating ensures the ARCA enclosures stand the test of time in outdoor conditions
- IK10 impact protection rating provides excellent protection against vandalism
- Patented strong hinge design to withstand regular door opening to 120° and the fitting of door mounted components
- Compatible with the majority of NHP's existing standard enclosure locking options to ensure a secure solution for every application
- Patented lockable inner door – no tools required for mounting
- Patented easy to use DIN-rail frame set design – no special tools required – easy and quick mounting
- Mounting pods on the base, cover and four base sides
- Variable depth option for internal plates
- Double corner design with mounting holes outside the ingress protected area
- Option for steel or insulated mounting plates

Representative Photo Only
(actual product may vary based on configuration selections)

SPECIFICATIONS

Product Series	CAB Enclosure
Width, Enclosure	300 mm width

REFERENCES

IECEX Certificate	-
Supplier Declaration of Conformity:	-
Installation Guide:	-
User Manual:	-
Manufacturer Datasheet:	-
Manufacturer Catalogue & Product Selection:	-