

Catalogue No: **DPA-01-D-M48**

MON RLY 3PH PHASE SEQ/LOSS 380-415V AC SUPPLY 2 C/O

Timers and Control Relays > Monitoring Relays > Voltage, Current, Phase and Power Factor Monitoring Relays > Carlo Gavazzi Voltage / Current / Phase and Power Monitoring > Phase Sequence and Loss Relays > Three-Phase



Representative Photo Only
(actual product may vary based on configuration selections)

Phase monitoring relays, 3-phase, sequence and phase loss, 208 - 480V AC

- Comprehensive range of monitoring controls for monitoring of phase loss, incorrect phase sequence, phase unbalance, over / under current, over / under load, over / under frequency, and over / under voltage for any application requirement.
- Range available in a variety of package sizes and mounting (DIN or Plug-in) to suit any preference.
- International certifications including ISO 9001 with wide install base ensuring delivery of a quality tested product.

SPECIFICATIONS

| | |
|--|--|
| Product Series | DPA |
| Component Type Timers and Control relays | Monitoring Relay |
| Signal Type(s) | AC: 3-Phase |
| Measurement Range(s) | 323 ... 550V AC |
| Umin, Supply Voltage, AC, Min | 380 V AC |
| Umax, Supply Voltage, AC, Max | 480 V AC |
| Ie, Rated Operational Current, AC-1, 250V | 8 A@250V |
| Ie, Rated Operational Current, AC-15, 250V | 2.5 A@250V |
| Ie, Rated Operational Current, DC-12, 24V | 5 A@24V |
| Ie, Rated Operational Current, DC-13, 24V | 2.5 A@24V |
| Ui, Rated Insulation Voltage | 250 V (rms) |
| Rated Frequency | 50 / 60 Hz |
| Overvoltage Category | III |
| Contact Configuration | 2 CO |
| Uimp, Impulse Withstand Voltage | 4 kV |
| Supply Power, Rated, AC 50Hz | 10 VA |
| Terminal Type | Screw Terminal(s) |
| Mounting | DIN-35 Rail Mount |
| Material, Body / Housing | Noryl material |
| Material, Contacts | Silver Tin Oxide (AgSnO2) material |
| IP Rating | IP20 |
| Indicator Type | LED |
| Details, Indicator | Power supply ON LED, green. Relay ON LED, yellow |
| Electrical Service Life at Un, In | 100000 cycles |
| Mechanical Service Life | 30000000 cycles |
| Tightening Torque, Max | 0.5 Nm |
| Dielectric Strength | ≥ 2 kVAC (rms) |
| Pollution Degree | 3 |

Catalogue No: **DPA-01-D-M48**

MON RLY 3PH PHASE SEQ/LOSS 380-415V AC SUPPLY 2 C/O

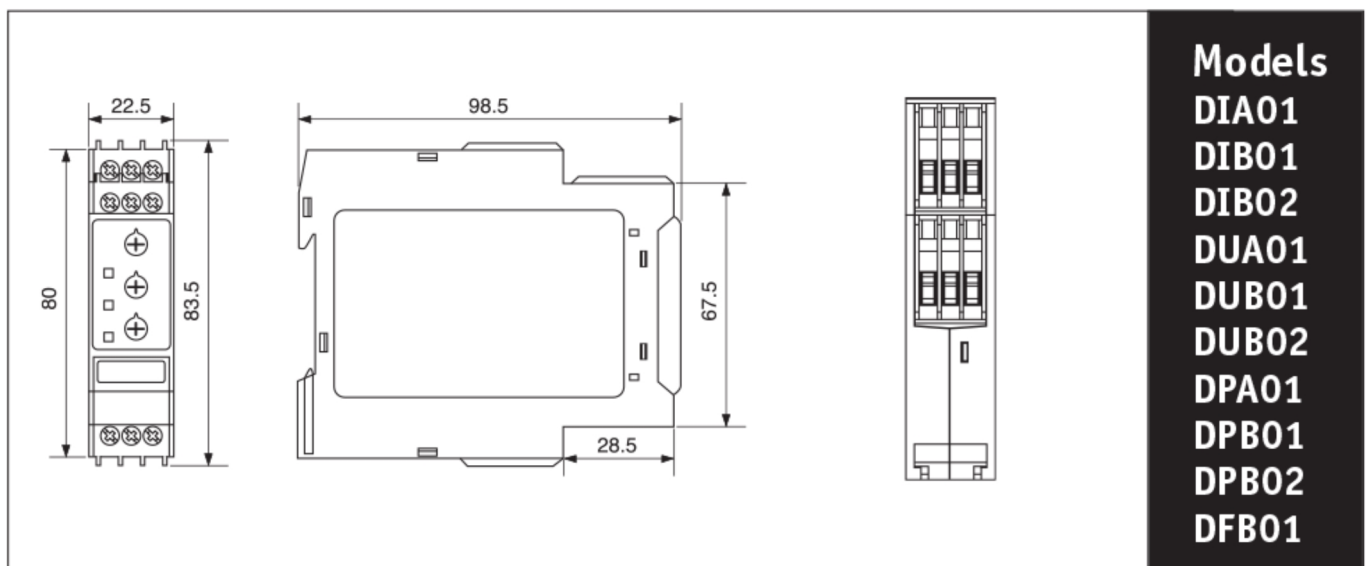
Timers and Control Relays > Monitoring Relays > Voltage, Current, Phase and Power Factor Monitoring Relays > Carlo Gavazzi Voltage / Current / Phase and Power Monitoring > Phase Sequence and Loss Relays > Three-Phase



| | |
|----------------------------|--|
| Storage Temperature, Min | -30 °C min |
| Storage Temperature, Max | 80 °C max |
| Operating Temperature, Min | -20 °C min |
| Operating Temperature, Max | 50 °C max |
| Height | 80 mm |
| Width | 22.5 mm |
| Depth | 99.5 mm |
| Weight | 0.1 kg |
| Standards Compliance | EN 61000-6-2 EN 61000-6-3 EN 60947-5-1 IEC 60947 IEC 60664 EN 60529 |
| Certifications | CE CSA UL |

REFERENCES

| | |
|---|---|
| IECEX Certificate | - |
| Supplier Declaration of Conformity: | - |
| Installation Guide: | DPA01DM48_Installation Instructions |
| User Manual: | - |
| Manufacturer Datasheet: | DPA01DM48_Manufacturer Datasheet |
| Manufacturer Catalogue & Product Selection: | - |



Dimension Diagram



Catalogue No: **DPA-01-D-M48**

MON RLY 3PH PHASE SEQ/LOSS 380-415V AC SUPPLY 2 C/O

Timers and Control Relays > Monitoring Relays > Voltage, Current, Phase and Power Factor Monitoring Relays > Carlo Gavazzi Voltage / Current / Phase and Power Monitoring > Phase Sequence and Loss Relays > Three-Phase

