

Catalogue No: **DPA-01-C-M44**

MON RLY 3PH PHASE SEQ/LOSS 208-480V AC SUPPLY 1 C/O

Timers and Control Relays > Monitoring Relays > Voltage, Current, Phase and Power Factor Monitoring Relays > Carlo Gavazzi Voltage / Current / Phase and Power Monitoring > Phase Sequence and Loss Relays > Three-Phase



Representative Photo Only
(actual product may vary based on configuration selections)

Phase monitoring relays, 3-phase, sequence and phase loss, 208 - 480V AC

- Comprehensive range of monitoring controls for monitoring of phase loss, incorrect phase sequence, phase unbalance, over / under current, over / under load, over / under frequency, and over / under voltage for any application requirement.
- Range available in a variety of package sizes and mounting (DIN or Plug-in) to suit any preference.
- International certifications including ISO 9001 with wide install base ensuring delivery of a quality tested product.

SPECIFICATIONS

Product Series	DPA
Component Type Timers and Control relays	Monitoring Relay
Signal Type(s)	AC: 3-Phase
Measurement Range(s)	177 ... 550V AC
Umin, Supply Voltage, AC, Min	208 V AC
Umax, Supply Voltage, AC, Max	480 V AC
Ie, Rated Operational Current, AC-1, 250V	8 A@250V
Ie, Rated Operational Current, AC-15, 250V	2.5 A@250V
Ie, Rated Operational Current, DC-12, 24V	5 A@24V
Ie, Rated Operational Current, DC-13, 24V	2.5 A@24V
Ui, Rated Insulation Voltage	250 V (rms)
Rated Frequency	50 / 60 Hz
Overvoltage Category	III
Contact Configuration	1 CO
Uimp, Impulse Withstand Voltage	4 kV
Supply Power, Rated, AC 50Hz	10 VA
Terminal Type	Screw Terminal(s)
Mounting	DIN-35 Rail Mount
Material, Body / Housing	Noryl material
Material, Contacts	Silver Tin Oxide (AgSnO2) material
IP Rating	IP20
Indicator Type	LED
Details, Indicator	Power supply ON LED, green. Relay ON LED, yellow
Electrical Service Life at Un, In	100000 cycles
Mechanical Service Life	30000000 cycles
Tightening Torque, Max	0.5 Nm
Dielectric Strength	≥ 2 kVAC (rms)
Pollution Degree	3

Catalogue No: **DPA-01-C-M44**

MON RLY 3PH PHASE SEQ/LOSS 208-480V AC SUPPLY 1 C/O

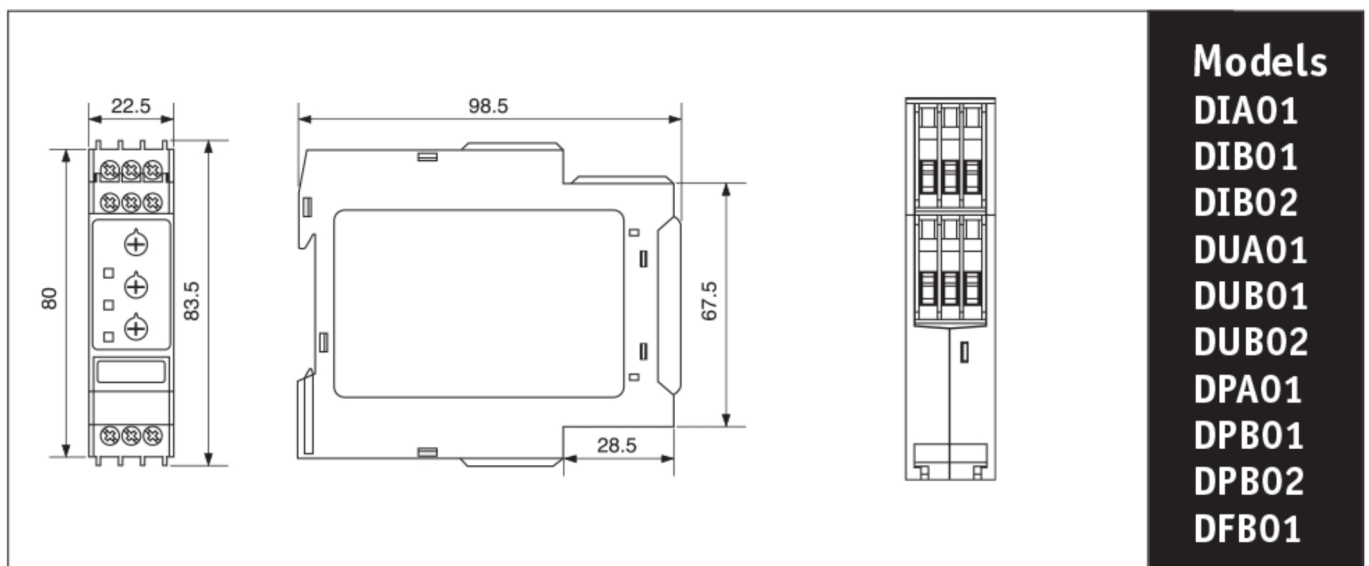
Timers and Control Relays > Monitoring Relays > Voltage, Current, Phase and Power Factor Monitoring Relays > Carlo Gavazzi Voltage / Current / Phase and Power Monitoring > Phase Sequence and Loss Relays > Three-Phase



Storage Temperature, Min	-30 °C min
Storage Temperature, Max	80 °C max
Operating Temperature, Min	-20 °C min
Operating Temperature, Max	50 °C max
Height	80 mm
Width	22.5 mm
Depth	99.5 mm
Weight	0.1 kg
Standards Compliance	EN 61000-6-2 EN 61000-6-3 EN 60947-5-1 IEC 60947 IEC 60664 EN 60529
Certifications	CE CSA UL

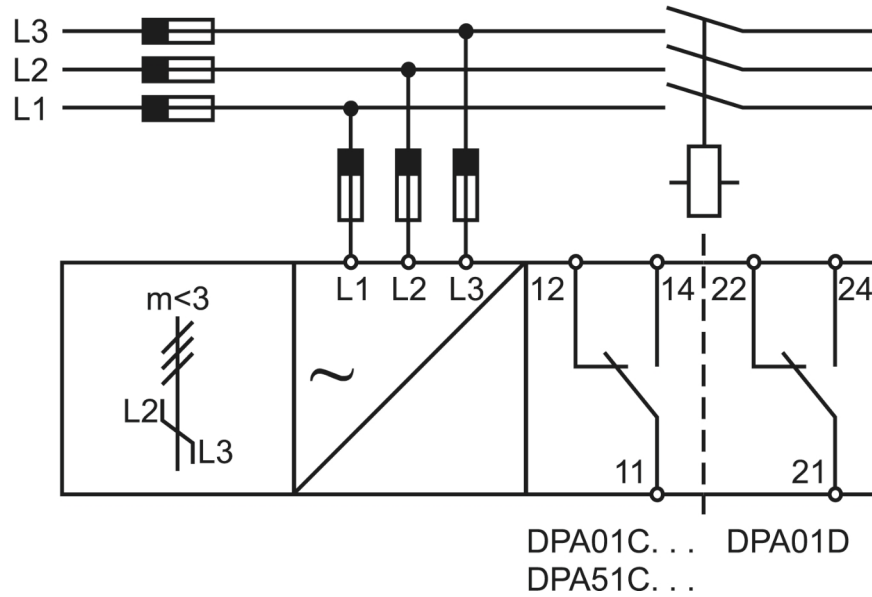
REFERENCES

IECEX Certificate	-
Supplier Declaration of Conformity:	-
Installation Guide:	DPA01CM44_Installation Instructions
User Manual:	-
Manufacturer Datasheet:	DPA01CM44_Manufacturer Datasheet
Manufacturer Catalogue & Product Selection:	-

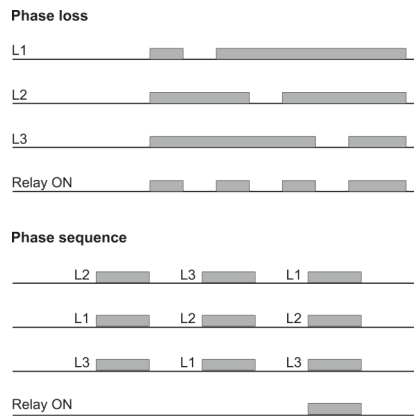


Dimension Diagram

DPA51 / DPA01



Connection / Wiring Diagram



Technical Diagram