

Catalogue No: **DBB-51-C-M24 1M**

TIMER TRUE OFF DELAY 24V DC/24-240V AC SUPPLY 1 C/O 6-60S

Timers and Control Relays > Timers, Time Switches and Counters > Time Delay Relays > Carlo Gavazzi Time Delay Relays > TRUE OFF Delay Relays > DIN mount



Representative Photo Only
(actual product may vary based on configuration selections)

Time delay relay, true off delay, 24V AC/DC, 240V AC, 1 C/O, max. 1 min delay, DIN rail

- Multitude of timing functions available from the entire Carlo Gavazzi range (On Delay, Interval, Off Delay, One Shot, Star-Delta, and Recycler) for practically every application.
- Available in either DIN or Panel mount to suit your preference.
- Variety of relay output types (SPDT, DPDT) and adjustable timing ranges available, dependent on your switching requirements.
- International certifications and wide install base ensuring delivery of a quality tested product.

SPECIFICATIONS

| | |
|-----------------------------------|-----------------------|
| Timing Function | True OFF Delay |
| Time Range(s) | 6s ... 1min |
| Power Consumption | 1.5 / 0.60 VA/W |
| Nominal Frequency | 45-65 Hz |
| Unom, Supply Voltage, DC, Nom | 24 V DC |
| Umin, Supply Voltage, AC, Min | 24 V AC |
| Umax, Supply Voltage, AC, Max | 240 V AC |
| Supply Voltage | 24 V DC / 24-240 V AC |
| Contact Ratings DC12 at 24 V DC | 5 A |
| Contact Ratings DC 13 at 24 V DC | 2.5 A |
| Contact Ratings AC 15 at 250 V AC | 2.5 |
| Contact Ratings AC 1 at 250 V AC | 5 A |
| Contact Configuration | 1 CO |
| Housing | 17.5mm DIN rail |
| Mounting | DIN-35 Rail Mount |
| Time Setting Accuracy | ≤ 5 % |
| Height | 81 mm |
| Width | 17.5 mm |
| Depth | 67.2 mm |

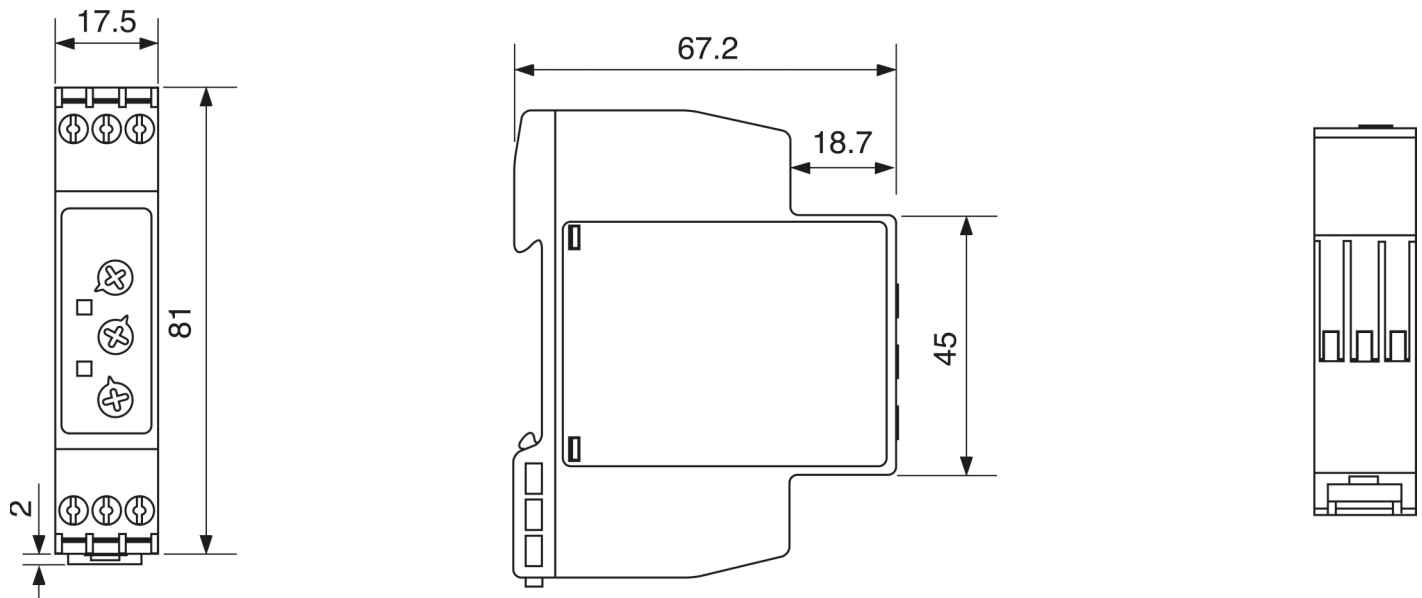
Catalogue No: **DBB-51-C-M24 1M**

TIMER TRUE OFF DELAY 24V DC/24-240V AC SUPPLY 1 C/O 6-60S

Timers and Control Relays > Timers, Time Switches and Counters > Time Delay Relays > Carlo Gavazzi Time Delay Relays > TRUE OFF Delay Relays > DIN mount

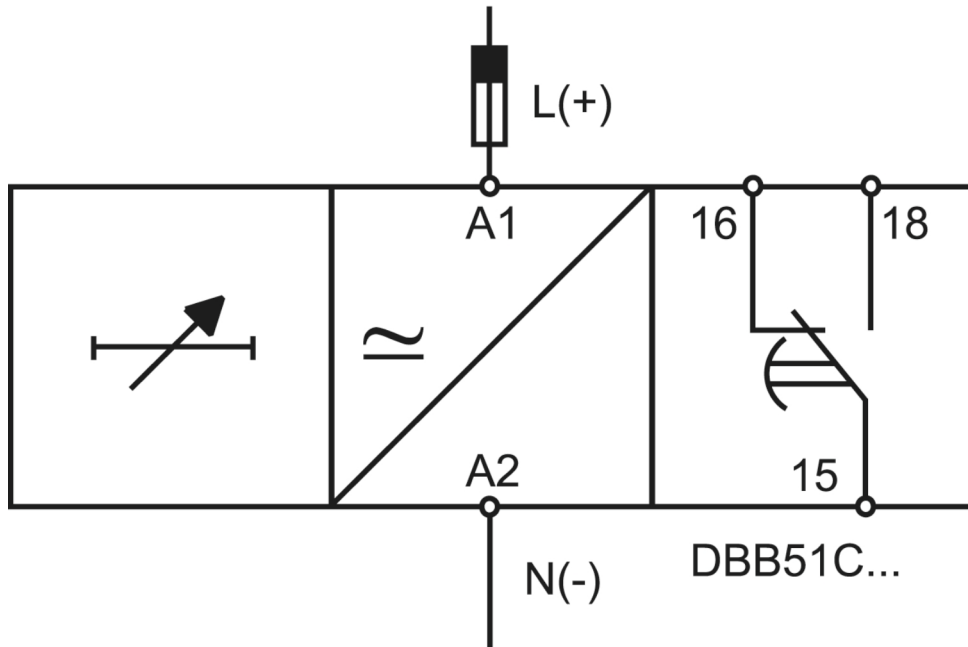


| REFERENCES | |
|---|---|
| IECEX Certificate | - |
| Supplier Declaration of Conformity: | - |
| Installation Guide: | - |
| User Manual: | - |
| Manufacturer Datasheet: | DBB51CM241M_ManufacturerDatasheet |
| Manufacturer Catalogue & Product Selection: | - |

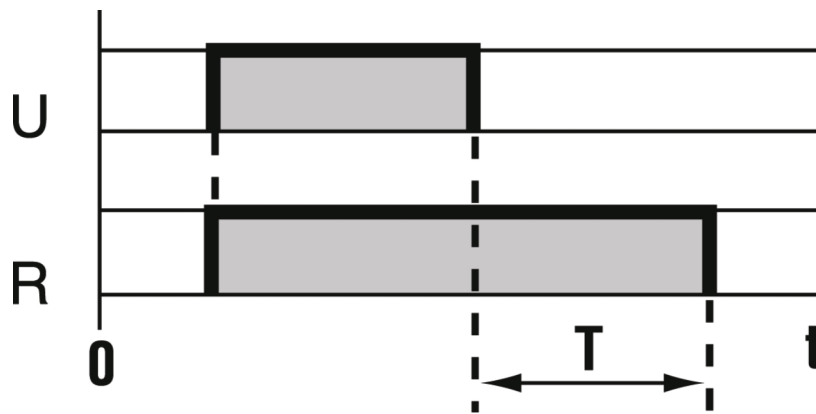


Dimension Diagram

DBB51



Connection / Wiring Diagram



Technical Diagram