

# Catalogue No: **DAC-51-C-M24**

## TIMER STAR DELTA 24-240V AC/DC SUPPLY 1 C/O 0.1-600S 17.5mm

Timers and Control Relays > Timers, Time Switches and Counters > Time Delay Relays > Carlo Gavazzi Time Delay Relays > Star Delta Delay Relays > DIN Mount



Representative Photo Only  
(actual product may vary based on configuration selections)

Time delay relay, star delta, 24 - 240V AC/DC, 1 C/O, DIN rail

- Multitude of timing functions available from the entire Carlo Gavazzi range (On Delay, Interval, Off Delay, One Shot, Star-Delta, and Recycler) for practically every application.
- Available in either DIN or Panel mount to suit your preference.
- Variety of relay output types (SPDT, DPDT) and adjustable timing ranges available, dependent on your switching requirements.
- International certifications and wide install base ensuring delivery of a quality tested product.

### SPECIFICATIONS

Timing Function	Star-Delta
Time Range(s)	100ms ... 1s 1 ... 10s 6s ... 1min 1 ... 10min
Power Consumption	5 / 1.5 VA/W
Nominal Frequency	45-65 Hz
Umin, Supply Voltage, DC, Min	24 V DC
Umax, Supply Voltage, DC, Max	240 V DC
Umin, Supply Voltage, AC, Min	24 V AC
Umax, Supply Voltage, AC, Max	240 V AC
Supply Voltage	24-240 V AC/DC
Contact Ratings DC12 at 24 V DC	5 A
Contact Ratings DC 13 at 24 V DC	2.5 A
Contact Ratings AC 15 at 250 V AC	2.5
Contact Ratings AC 1 at 250 V AC	5 A
Contact Configuration	1 CO
Housing	17.5mm DIN rail
Mounting	DIN-35 Rail Mount
Time Setting Accuracy	≤ 5 %
Height	81 mm
Width	17.5 mm
Depth	67.2 mm

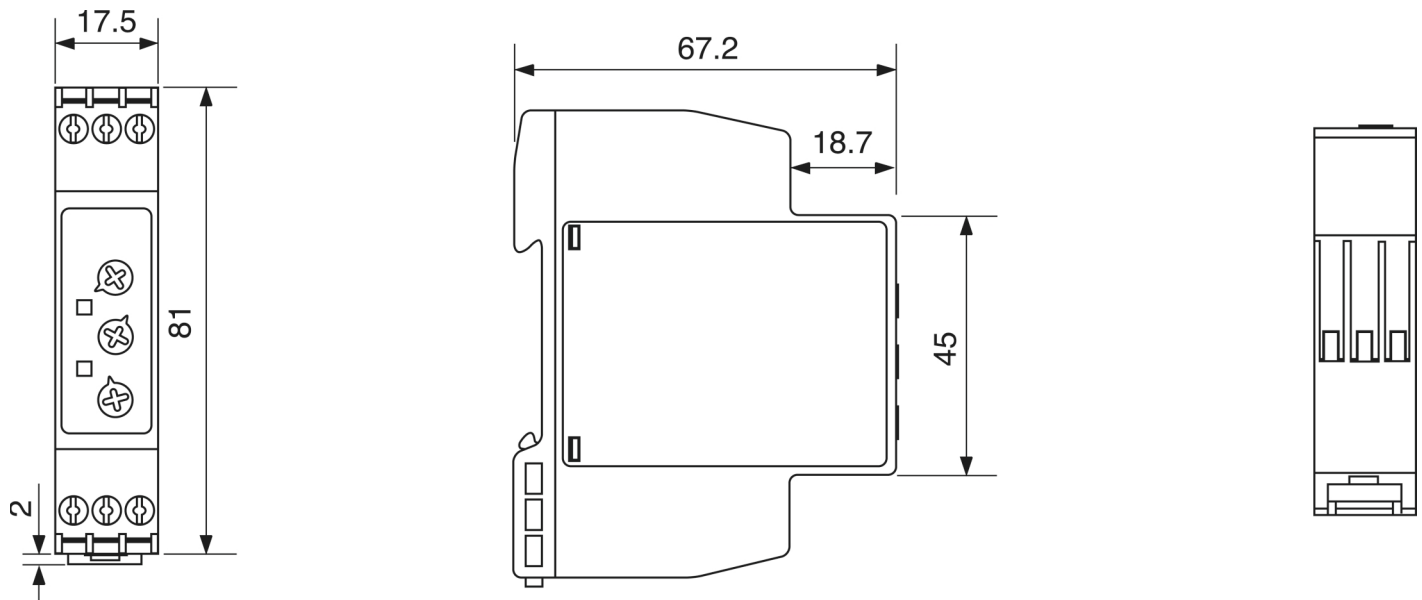
# Catalogue No: **DAC-51-C-M24**

TIMER STAR DELTA 24-240V AC/DC SUPPLY 1 C/O 0.1-600S 17.5mm

Timers and Control Relays > Timers, Time Switches and Counters > Time Delay Relays > Carlo Gavazzi Time Delay Relays > Star Delta Delay Relays > DIN Mount

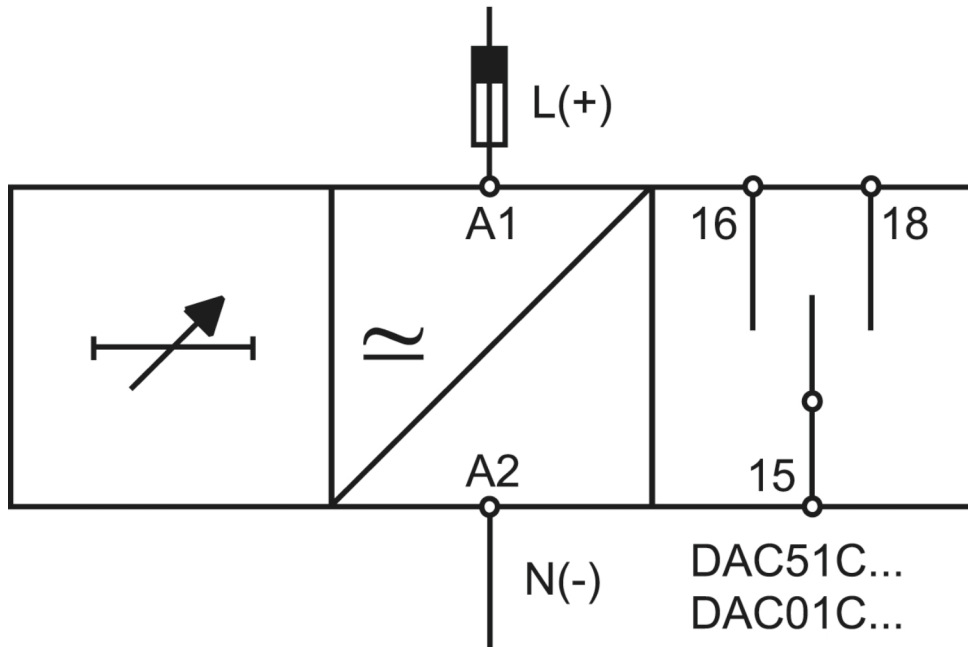


REFERENCES	
IECEX Certificate	-
Supplier Declaration of Conformity:	-
Installation Guide:	-
User Manual:	-
Manufacturer Datasheet:	<a href="#">DAC51CM24_ManufacturerDatasheet</a>
Manufacturer Catalogue & Product Selection:	-

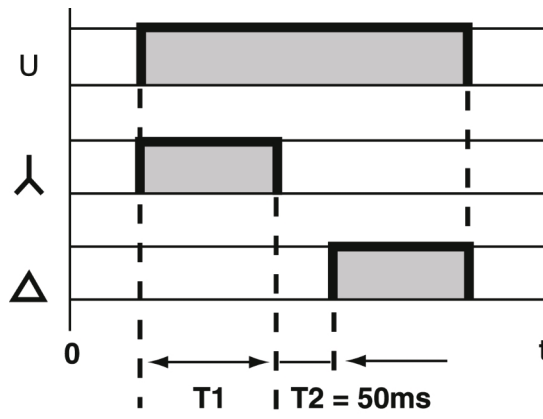


Dimension Diagram

# DAC51, DAC01



Connection / Wiring Diagram



Technical Diagram